

1

2

3

4

A

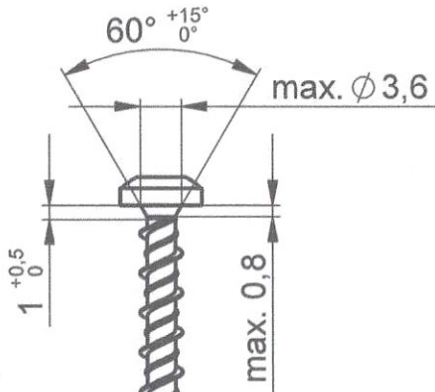
B

C

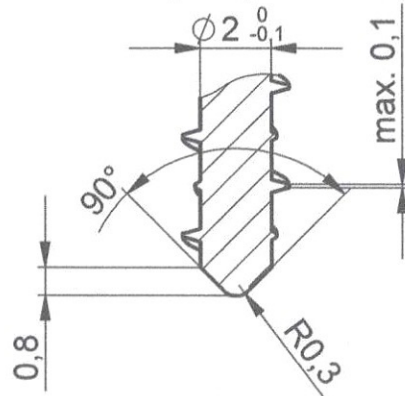
D

E

F

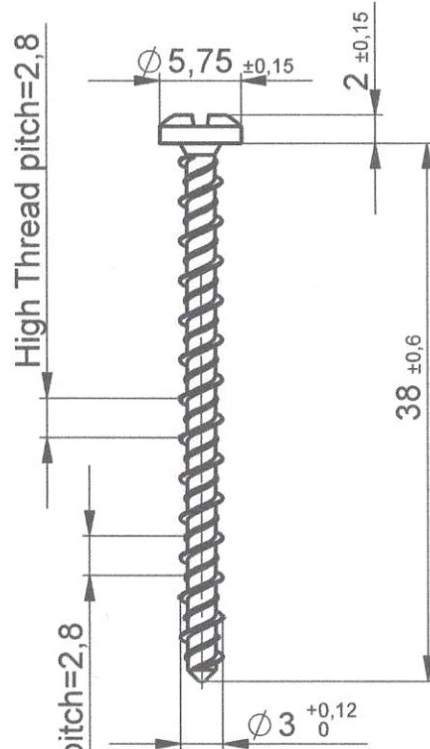


F-F (5 : 1)



Material: Steel 23MnB4 (eq.10B21)
 Surface Hardness min. 450HV1
 Core Hardness : 290-360HV10
 Zinc coated 5-8 μm blue passivation

Tolerance ISO 4759-1:2000



High Thread pitch=2,8

Low Thread pitch=2,8



Din 7981 COMBI PZ1

Hi Thread
 diameter 3,0 $+0,12$
 pitch 2,8 mm
 thread angle 30°

Lo Thread
 diameter 2,5 $+0,12$
 pitch 2,8 mm
 thread angle 60°

Head Combi Pozidrive DIN 7981 PZ1

38

Screw 3x38 - double thread

3x38