

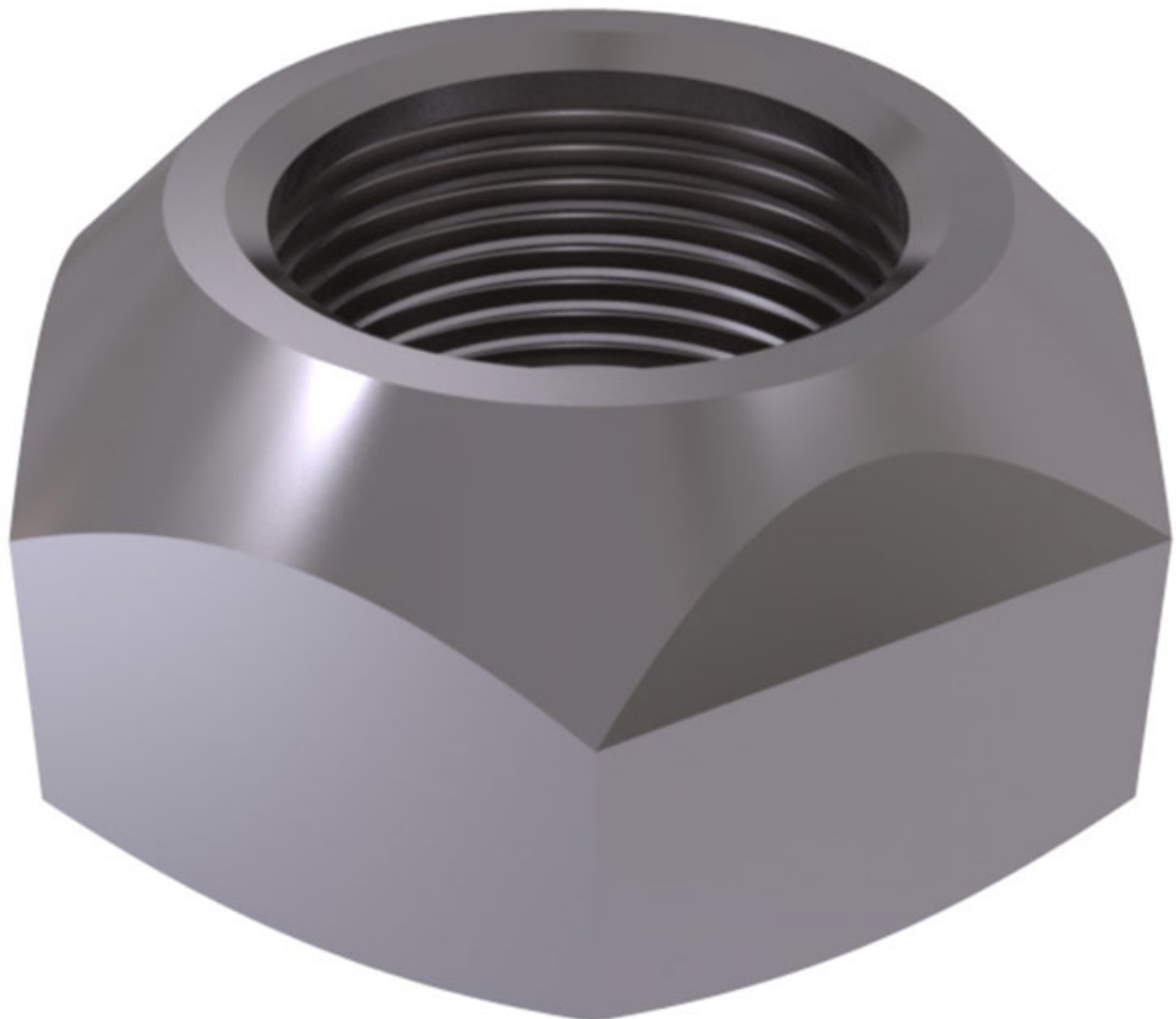


(<https://www.fasteners.eu/>)

ISO 7042 - Hexagon nuts with clamping part, all metal nut

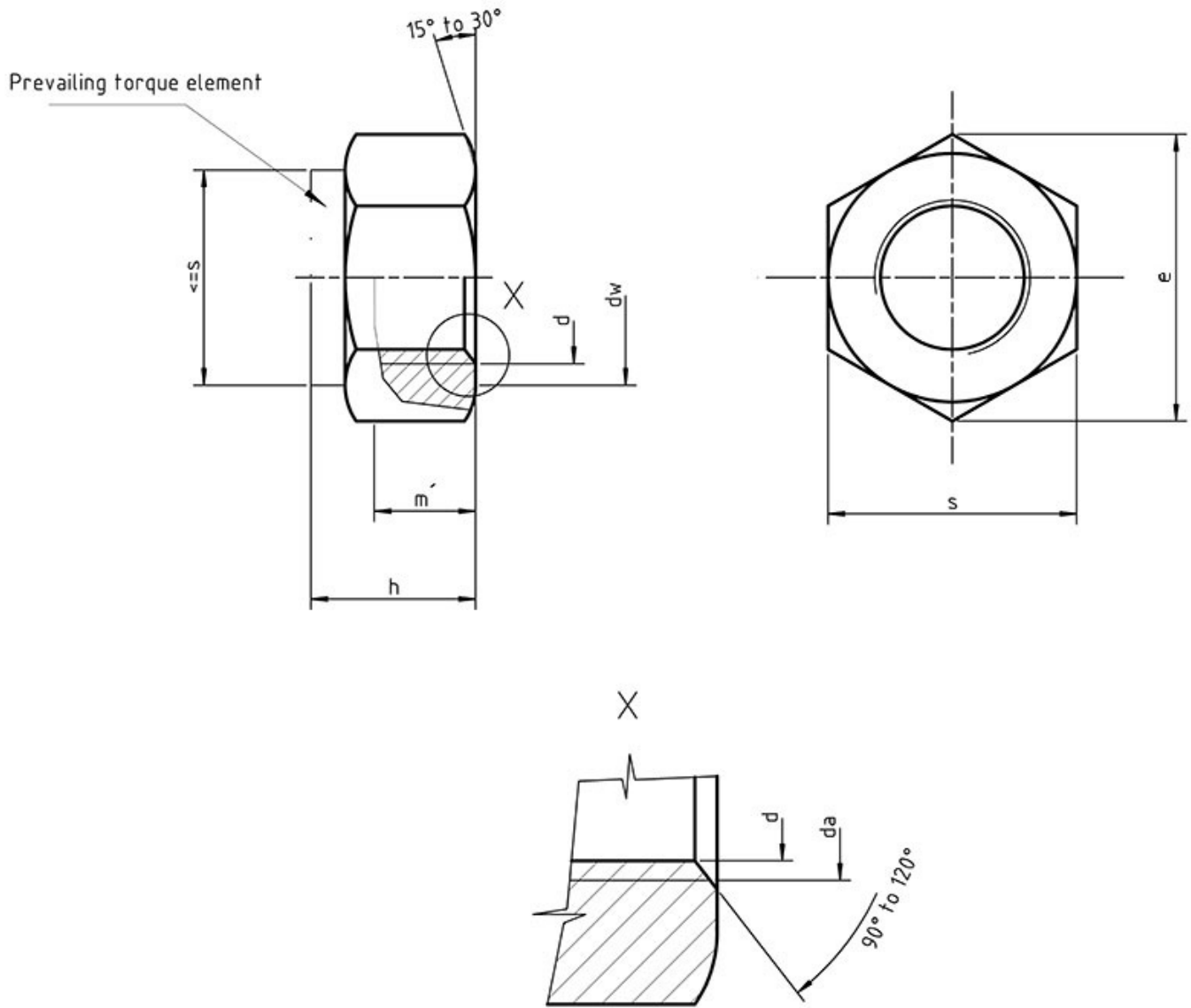
Current norm: DIN EN ISO 7042,10513

Equivalent norms: DIN 980; CSN 021492; PN 82176;



SEND INQUIRY ([HTTPS://WWW.FASTENERS.EU/INQUIRY/ADD/](https://www.fasteners.eu/inquiry/add/))

- Buy ISO 7042
-
- 3D model
- Inquiries
- Overstock



Legend:

- s** - size of the hexagon
- e** - the diameter of the circumscribed circle (not less than)
- d** - the nominal diameter of the thread
- h** - height of the nut
- m** - hight of the nut part
- da** - Turning diameter shrinkage
- dw** - contact surface diameter

Makings:

Steel: 5,6,8,10

Stainless: A2,A4

Plastic: -

Non Ferrous: -

Thread: 6H**Notes:**

-

Table according to DIN 980:

		dimensions in mm							
d		M3	M4	M5	M6	M7	M8	M10	M12
							M8x1	M10x1	M12x1
								M10x1,25	M12x1,25
P		0,5	0,7	0,8	1	1	1,25	1,5	1,75
da	min.	3	4	5	6	7	8	10	12
	max.	3,45	4,6	5,75	6,75	7,75	8,75	10,8	13
dv	min.	4,6	5,9	6,9	8,9	9,6	11,6	15,6	17,4
e	min.	6,01	7,66	8,79	11,05	12,12	14,38	18,9	21,1
h	max.	3,7	4,2	5,1	6	7	8	10	12
	min.	3,4	3,9	4,8	5,7	6,5	7,5	9	11
m	min.	1,65	2,2	2,75	3,3	3,85	4,4	5,5	6,6
s	max.	5,5	7	8	10	11	13	17	19
	min.	5,32	6,78	7,78	9,78	10,73	12,73	16,73	18,6

Note: All the information provided on this website is provided on an "as is" and "as commonly used in production" basis and you agree that you use such information entirely at your own risk. This website gives no warranty and accepts no responsibility or liability for the accuracy or the completeness of the information and materials contained in this website. Under no circumstances will the website be held responsible or liable in any way for any claims, damages, losses, expenses, costs or liabilities whatsoever (including, without limitation, any direct or indirect damages for loss of profits, business interruption or loss of information) resulting or arising directly or indirectly from your use of or inability to use this website.

EU Fasteners Portal, s.r.o.

Novobranská 20
602 00 Brno
Czech republic
(+420) 608 889 223
IČ: 04264100

© 2014 Fasteners.eu, All rights reserved

(<https://www.toplist.cz>)

By using this site you agree to the use of cookies for analytics, personalised content and ads. [Learn more](#)

(<https://www.google.com/policies/technologies/cookies/>).

Got it