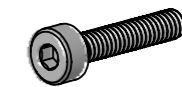
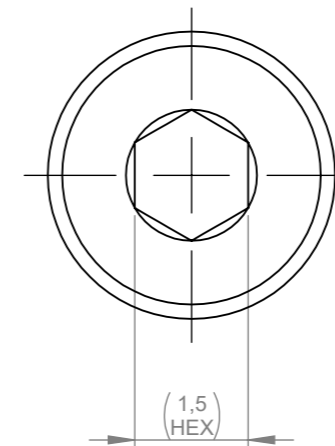
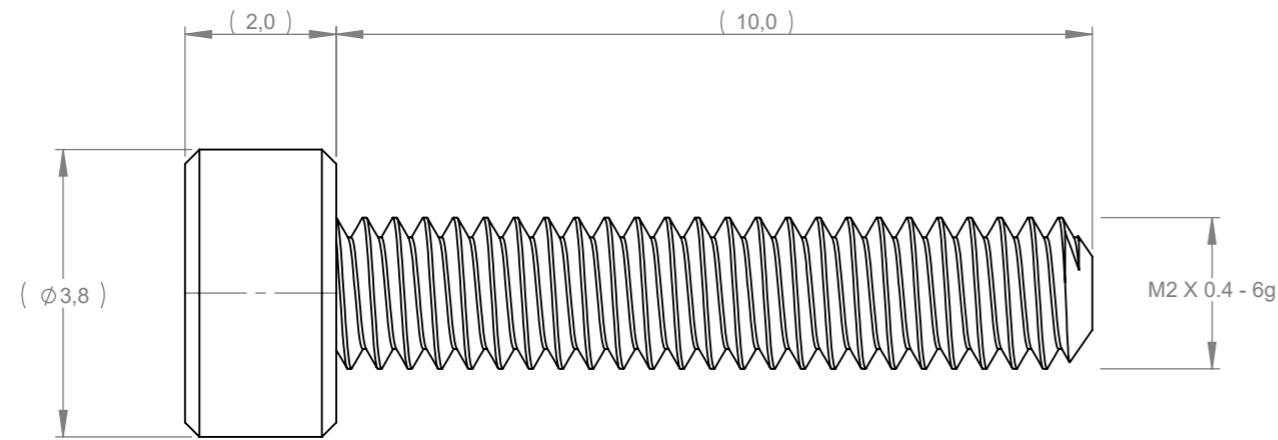


REV.	DESCRIPTION	REVISED BY/DATE	ENG. APPR BY/DATE	APPROVED BY/DATE
A	Initial drawing per PRJ D130805	SG/2019-08-15	GI/2019-08-13	HIP/2019-08-15

Note:

Bolt, Socket Head, DIN 912 / ISO 4762, M2 x 10, 12.9, Zink Coated.



**3D VIEW FOR REFERENCE ONLY  
SCALE: 2:1**

UNLESS OTHERWISE SPECIFIED  
DIMENSIONS ARE IN MILLIMETERS.  
TOLERANCES ARE:  
DECIMALS ANGLES  
.x ± 0.3 x. ± 1°  
.xx ± 0.10 .x ± 0.5°  
.xxx ± 0.050 .xx ± 0.25°

CAD GENERATED DRAWING.  
DO NOT MANUALLY UPDATE.



Össur  
Grjótháls 5  
110 Reykjavík, Iceland

SIGNATURES DATE

DRAWN BY JSv 2019-07-12

CHECKED BY SG 2019-08-15

ENGR. APPR. BY GI 2019-08-13

APPROVED BY HIP 2019-08-15

Bolt, Socket Head, DIN 912,  
M2x10, 12.9, Zink Coated

SIZE DWG NO. REV.  
A3 CMF10209 A  
SCALE 10:1 CAD FILE: CMF10209 SHEET 1 / 1

**ÖSSUR CONFIDENTIALITY AGREEMENT NOTICE:**  
This document contains information that is confidential and proprietary to Össur. Neither this document nor the information therein may be reproduced, used or distributed to or for the benefit of any third party without the prior written consent of Össur.