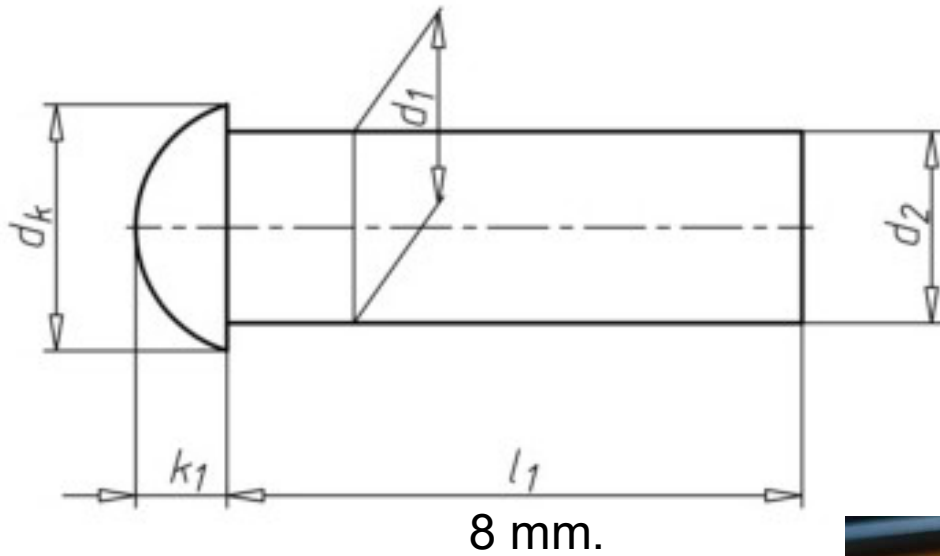


BUTTON HEAD RIVET D6 L8 (Aluminium).



Nominal diameter (d_1)	6 mm
Sleeve outside diameter (d_2)	5.82 mm
Length (l_1)	8 mm
Head diameter (d_k)	10.5 mm
Head height (k_1)	3.6 mm
Material	Aluminium
Surface	Plain
DIN	660

