

1

2

3

4

ECN	Rev.	Description of change	Date	By
-	-	-	-	-
	01	ok	24.08.2021	KON7
	02	ok	24.08.2021	KON7

A

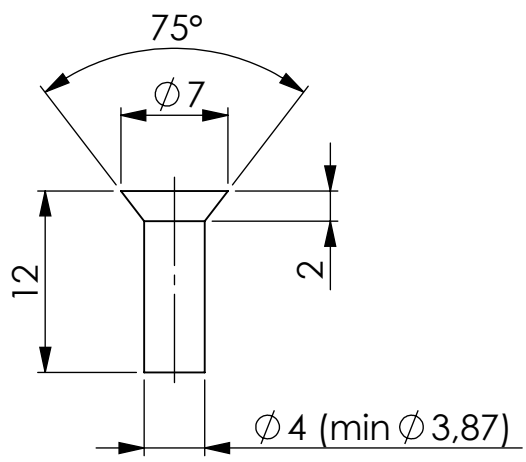
B

C

D

E

F



DIN 661 - 4x12 - CU (Copper)

NOTICE TO PERSONS RECEIVING THIS DRAWING AND/OR TECHNICAL INFORMATION
 This drawing and/or technical information is issued in confidence for engineering information only and may not be reproduced or used to manufacture anything shown or referred to hereon without direct permission from the user. This drawing and/or technical information is loaned for mutual assistance and is subject to recall at any time. This drawing and/or technical information is the property of [redacted]

General Tolerances ISO 2768-mk Specified Tolerances ISO 8015 Edges According to DIN 6784	Dimensional Units mm First Angle Projection	[redacted]	
Material: DIN 661 - 4x12 - CU Standard: Material No:	Description: Countersunk Rivet 4x12 - CU Senkniet 4x12 - CU		
Modeled:	06/29/2021	KON3	
Drawn:	06/29/2021	KON3	
Approved:	06/29/2021	KON3	
Design Authority:	Hoist PDE		Format Number: A4 09126105
Original project:	Hoist PDE		
Original scale:	1:1		
			Sheet 1 / 1