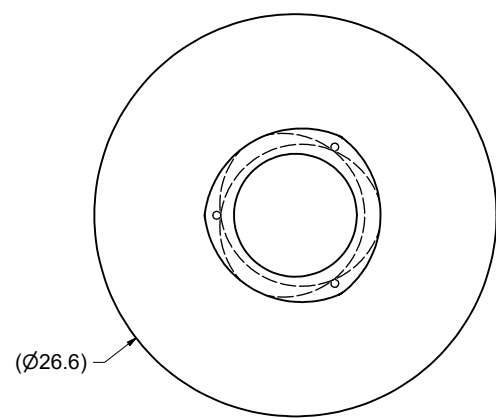
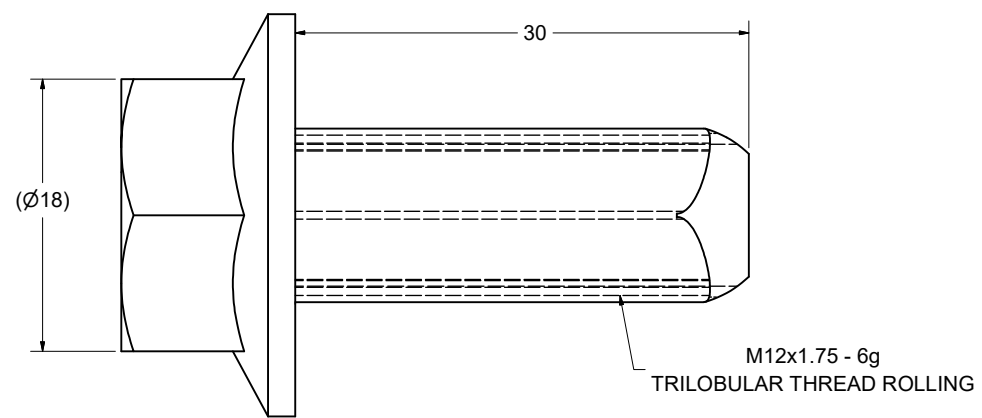
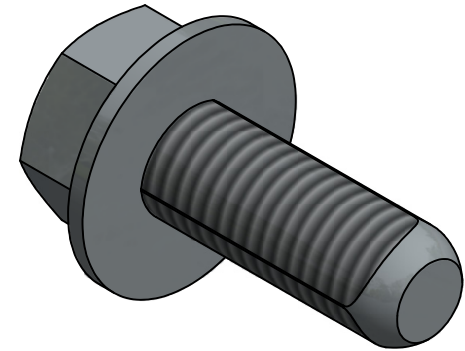


ITEM		QTY	PART NUMBER	DESCRIPTION
1	1	10-10430	BOLT, HEX FLANGE, THREAD ROLLING, M12x1.75, 30, CL10.9, CZ	



NOTES:  
 DIMENSIONS: DIN 7500 D  
 MATERIAL AND MECHANICAL PROPERTIES: ISO 898-1  
 THREADS: 6g RIGHT  
 MARKINGS: CLASS/GRADE AND MANUFACTURER'S ID  
 CLASS/GRADE: 10.9  
 FINISH SPECIFICATION: CLEAR ZINC PP003 PER QM-RD-010  
 TYPE: INDENTED HEX WASHER HEAD THREAD ROLLING

REV	DESCRIPTION	ECN#	DATE	APPROVED
A	PROCUREMENT RELEASE	6641	3/20/2020	CJL

DRAWN		CHECKED		DATE	
CJL		JWT		3/20/2020	

<b>Confidentiality Statement</b> The information, data, and drawings embodied in this document are strictly confidential and are supplied with the understanding that they will not be disclosed to third parties without the prior written consent of Curt Manufacturing, LLC.		<b>CURT GROUP</b> 6208 Industrial Drive Eau Claire, WI 54701
TITLE <b>BOLT, HEX FLANGE, THREAD ROLLING, M12x1.75, 30, CL10.9, CZ</b>		REV <b>A</b>
SIZE DWG NO <b>C 10-10430</b>		SCALE NTS
SHEET 1 OF 1		1