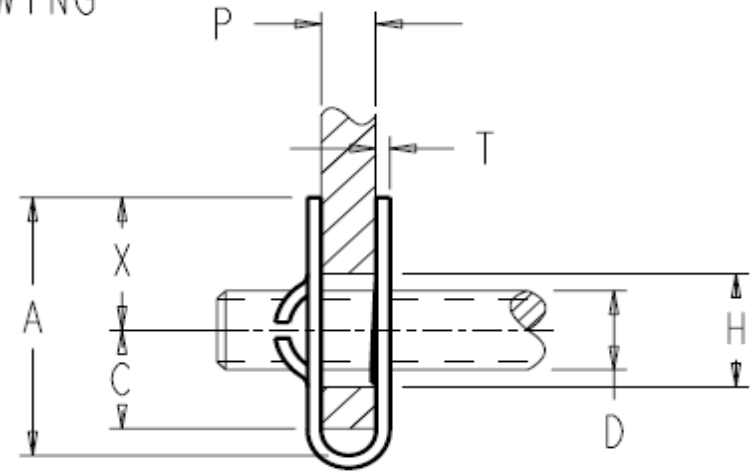
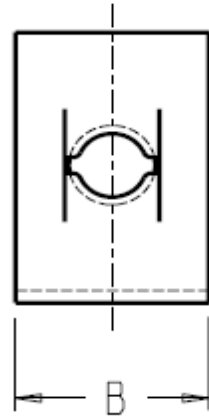




ISOMETRIC VIEW
SCALE 1:1

REQUIREMENT DRAWING



mm	INCH
0.79	.031
3.18	.125
4.06	.160
7.1	.28
7.14	.281
8.4	.33
11.2	.44
16.3	.64

D	P		A	B	X	C	H	T	FINISH
	MIN	MAX							
NO. 10	3.18	4.06	16.3	11.2	8.4	7.1	7.14	0.79	PHOSPHATE & OIL

This drawing is our property. It can't be reproduced or communcated without our written agreement.

FIXOVED

FIXOVED FIXAÇÃO E VEDAÇÃO LTDA.
BRAZIL

MATERIAL
SPRING STEEL

DESCRIPTION
NUT SPRING
NUT

DRAWING BY

DATE

SIZE	PART NUMBER	REV.
A4	7150-22	1

SCALE	WEIGHT (KG)	SHEET
2:1	0,005	1/1