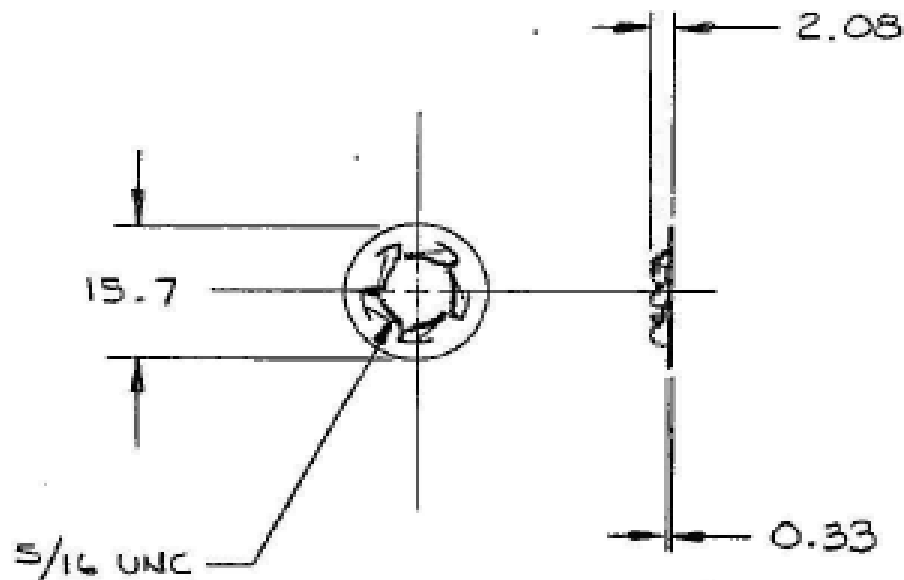


APPROVED SUPPLIER
 THE PALNUT CO.
 MOUNTAINSIDE, NEW JERSEY
 PART NO. PT 312010 PG

PHOSPATE & OIL

ALL DIMENSIONAL TOL'S ± 0.8



This drawing is our property. It can't be reproduced or communcated without our written agreement.		FIXOVED FIXOVED FIXAÇÃO E VEDAÇÃO LTDA. BRAZIL	
MATERIAL SAE 1070		DESCRIPTION BOLT RETAINER NUT	
DRAWING BY		SIZE A4	REV. 1
DATE		PART NUMBER 7150-21	SCALE 1:1
		WEIGHT (KG) 0,005	SHEET 1/1