
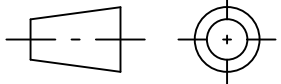


Matr.: steel grade 10.9

Surface treatment by Fe/Zn 12 B-DS/ISO 4520

** DO NOT SCALE **			
 <b>TRELLEBORG</b> WHEEL SYSTEMS LIEPAJA Trelleborg Wheels Systems Liepaja LSEZ SIA Kapsedes str. 2b, LV-3414, Liepaja, Latvia	Date:	Notes:	
	A4	Scale: 2:1	Drawn: 03-07-01
Title: HUB BOLT M16X1.5X45 KNURLING FZB			
		Replacement for:	
		T02507-1A	
		Replaced by:	