

## ISO 10642 - Hexagon socket countersunk head cap screws

**Current norm:** DIN EN ISO 10462

**Equivalent norms:** DIN 7991; UNI 5933;



Manufactured Precision and Fast Delivery of Gages.

Thread Gauge Products Private Limited



## Thread Plug Gage

Manufactured Precision and Fast Delivery of Gages.

 [Directions](#)

[Website](#)

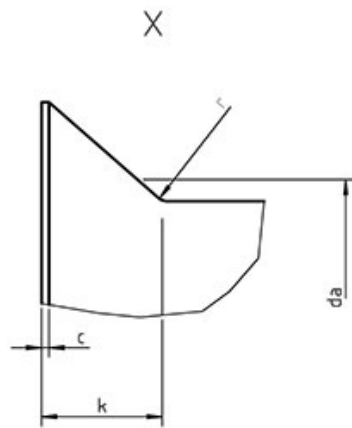
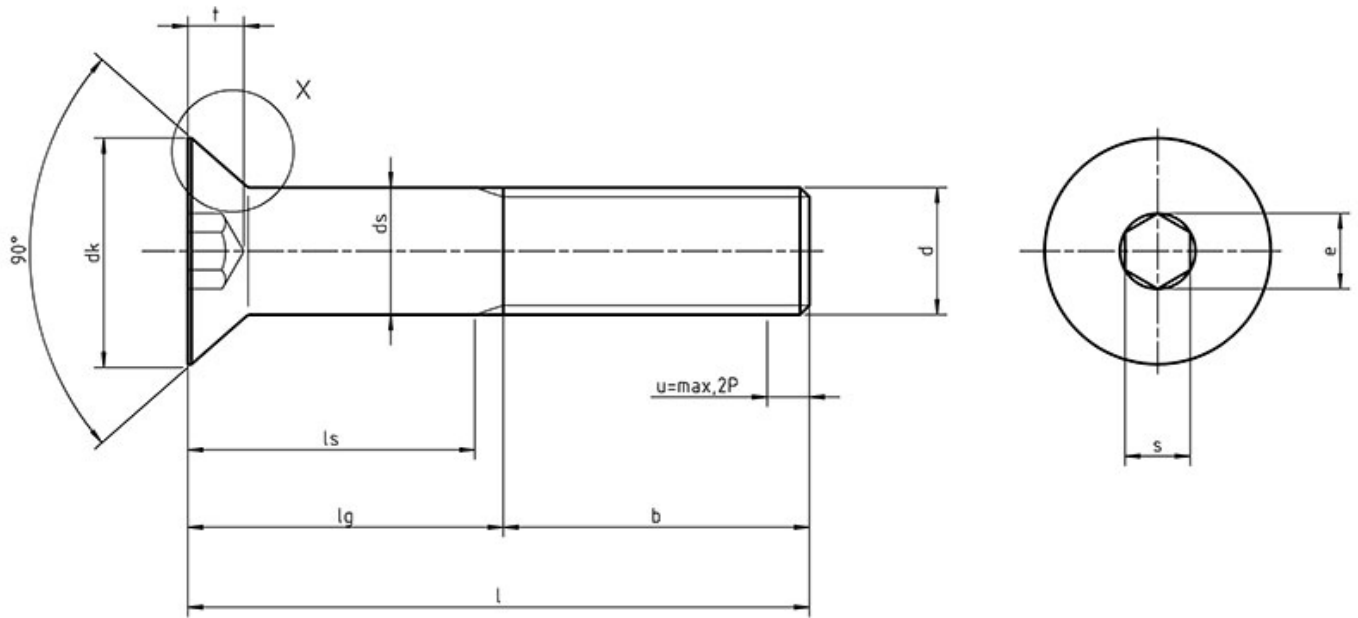
[SEND INQUIRY \(HTTPS://WWW.FASTENERS.EU/INQUIRY/ADD/\)](https://www.fasteners.eu/inquiry/add/)

- [Buy ISO 10642](#)
- [Technical information](#)
- [3D model](#)
- [Inquiries](#)
- [Overstock](#)



# Manufactured Precision and Fast Delivery of Gages.





## Legend:

- b** - length of the thread (at least)
- l** - length of bolt
- d** - the nominal diameter of the thread
- k** - head height
- e** - the diameter of the circumscribed circle (not less than)
- ds** - diameter of the screw shank
- t** - groove depth
- dk** - head diameter
- s** - size of the internal hexagon



Manufactured Precision and Fast Delivery of Gages.

**Steel:** 8.8, 10.9, 12.9

**Stainless:** A2, A4

**Plastic:** -

**Non Ferrous:** -

**Thread:** 6g

**Notes:**

-

## Table according to DIN 7991:

		dimensions in mm							
Thread d		M3	M4	M5	M6	M8	M10	M12	
P		0,5	0,7	0,8	1	1,25	1,5	1,75	
a	2° 0	90°							
b	l?125mm	12	14	16	18	22	26	30	
	125<l?200mm	-	-	-	24	28	32	36	
	l>200mm	-	-	-	-	-	45	49	
c	approx.	0,2	0,3	0,3	0,3	0,4	0,5	0,5	
dk	nominal=max.	6	8	10	12	16	20	24	
	min.	5,7	7,64	9,64	11,57	15,57	19,48	23,48	
da	max.	3,6	4,7	5,7	6,8	9,2	11,2	13,7	
ds	nominal=max.	3	4	5	6	8	10	12	
	min.	2,86	3,82	4,82	5,82	7,78	9,78	11,73	
e	min.	2,3	2,87	3,44	4,58	5,72	6,86	9,15	
k	max.	1,7	2,3	2,8	3,3	4,4	5,5	6,5	

Manufactured Precision and Fast Delivery of Gages.

	max.	2,1	2,6	3,1	4,12	5,14	6,14	8,175	
t	nominal=max.	1,2	1,8	2,3	2,5	3,5	4,4	4,6	
	min.	0,95	1,5	2,05	2,25	3,2	4,1	4,3	
Thread d			M3	M4	M5	M			
l			lengths ls and lg						
nominal	min.	max.	ls min.	lg max.	ls min.	lg max.	ls min.	lg max.	l:
8	7,71	8,29	-	3,2	-	4,4	-	5,2	-
10	9,71	10,29	-	3,2	-	4,4	-	5,2	-
12	11,65	12,35	-	3,2	-	4,4	-	5,2	-
16	15,65	16,35	-	3,2	-	4,4	-	5,2	-
20	19,58	20,42	-	3,2	-	4,4	-	5,2	-
25	24,58	25,42	10,5	13	-	4,4	-	5,2	-
30	29,58	30,42	15,5	18	12,5	16	-	5,2	-
35	34,5	35,5			17,5	21	15	19	-
40	39,5	40,5			22,5	26	20	24	1
50	49,5	50,5					30	34	2
60	59,4	60,6							
70	69,4	70,6							
Thread d			(M14)	M16	(M18)	M			
l			lengths ls and lg						

# Manufactured Precision and Fast Delivery of Gages.

25	24,58	25,42	-	13					
30	29,58	30,42	-	13	-	13,5			
35	34,5	35,5	-	13	-	13,5	-	15,5	-
40	39,5	40,5	-	13	-	13,5	-	15,5	-
50	49,5	50,5	-	13	-	13,5	-	15,5	-
60	59,4	60,6	16	26	-	13,5	-	15,5	-
70	69,4	70,6	26	36	22	32	15,5	28	-
80	79,4	80,6	36	46	32	42	25,5	38	2
90	89,3	90,7			42	52	35,5	48	3
100	99,3	100,7					45,5	58	4
70	69,4	70,6							

**Note:** All the information provided on this website is provided on an “as is” and “as commonly used in production” basis and you agree that you use such information entirely at your own risk. This website gives no warranty and accepts no responsibility or liability for the accuracy or the completeness of the information and materials contained in this website. Under no circumstances will the website be held responsible or liable in any way for any claims, damages, losses, expenses, costs or liabilities whatsoever (including, without limitation, any direct or indirect damages for loss of profits, business interruption or loss of information) resulting or arising directly or indirectly from your use of or inability to use this website.

#### EU Fasteners Portal, s.r.o.

Novobranská 20  
602 00 Brno  
Czech republic  
(+420) 608 889 223  
IČ: 04264100

© 2014 Fasteners.eu, All rights reserved

# Manufactured Precision and Fast Delivery of Gages.



Manufactured Precision and Fast Delivery of Gages.

