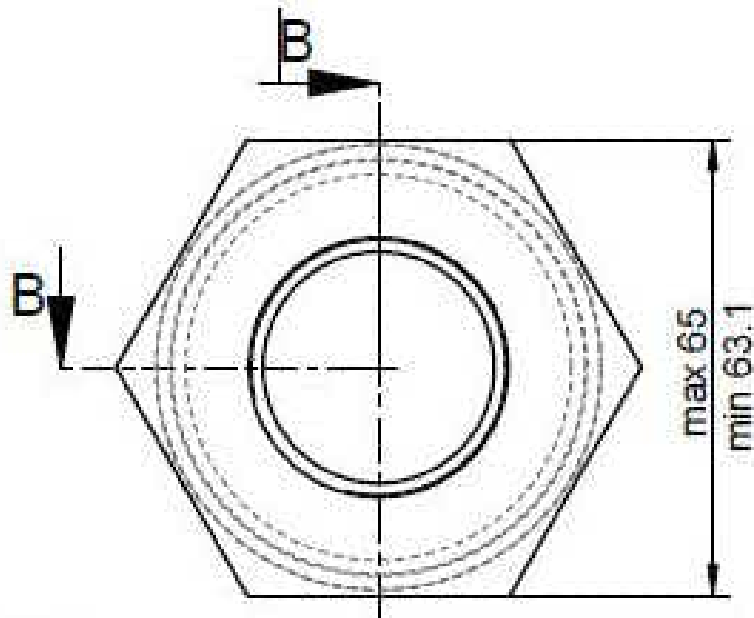


B-B



Technical requirement:-

1. Sharp edge down blunt, to burr

2. Performance class 8

3. Blue surface treatment

4. Dimensions refer to German national standard DIN6924-87