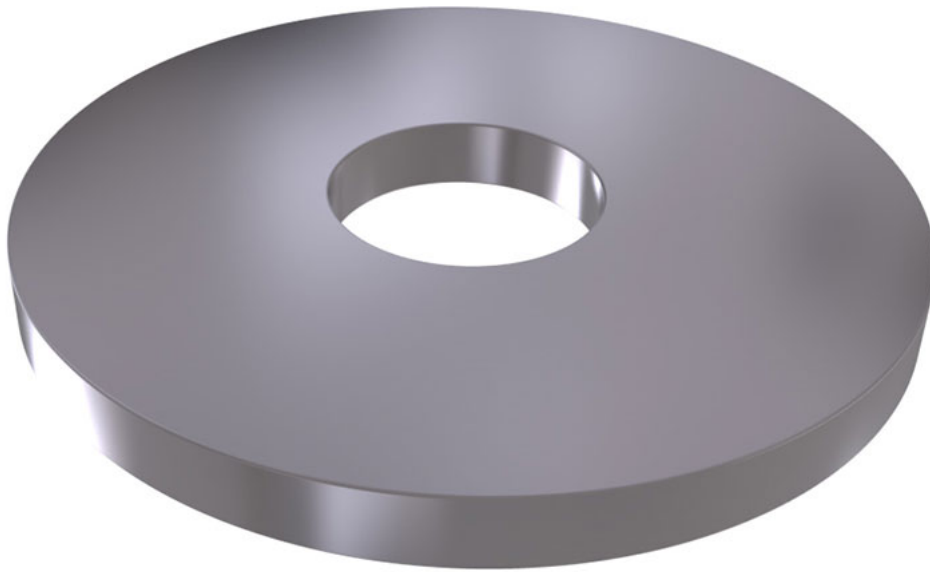


ISO 7094 - Washers for use in timber constructions

Equivalent norms: **DIN** 440 R; **CSN** 21727;



SEND INQUIRY ([HTTPS://WWW.FASTENERS.EU/INQUIRY/ADD/](https://www.fasteners.eu/inquiry/add/))

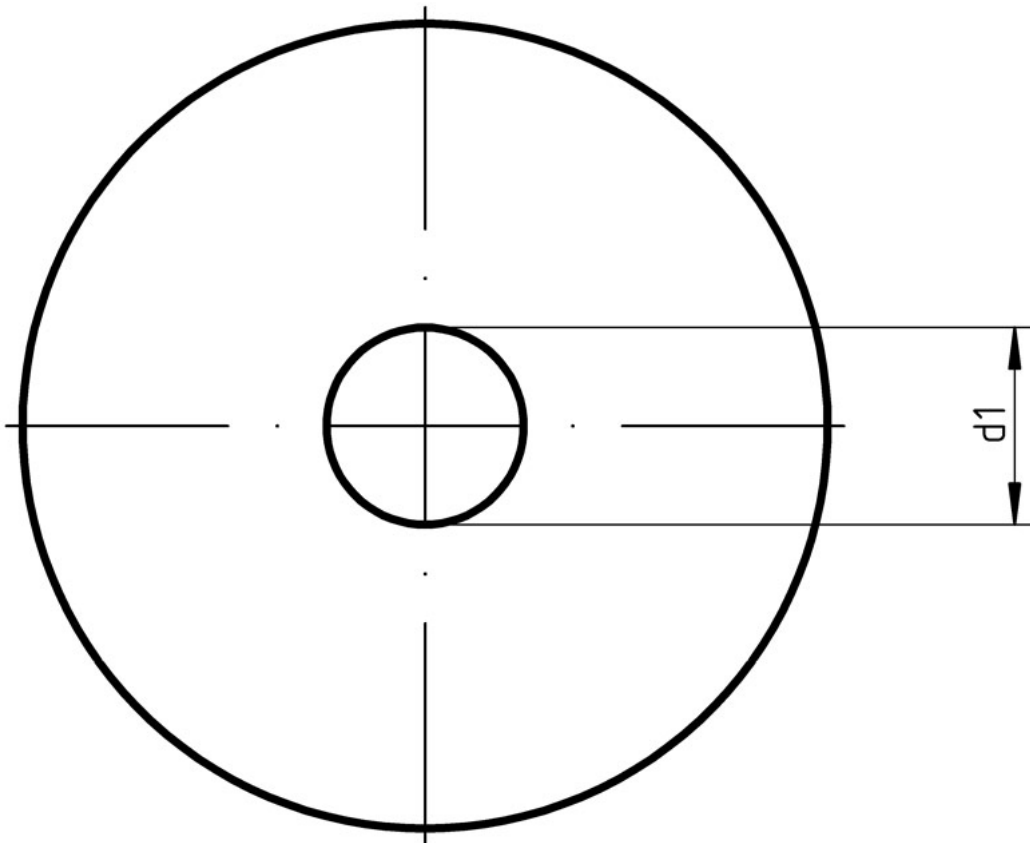
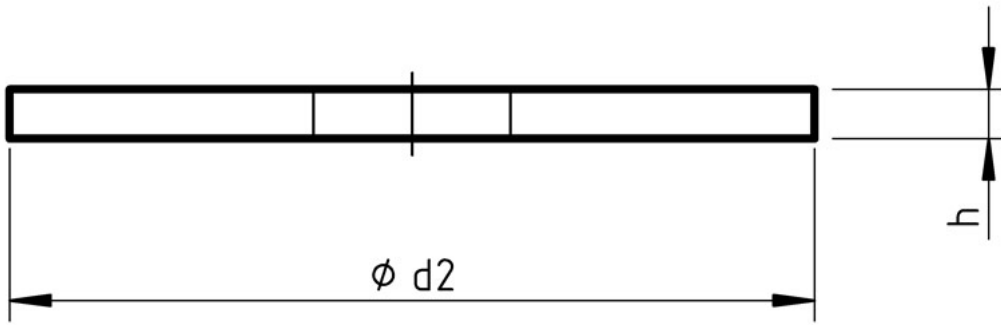
- Companies

-

- 3D model

- Inquiries

- Overstock



Legend:

d1 - Inner diameter
d2 - Outer diameter
S - Washer width

Makings:

Steel: 100 HV
Stainless: A2, A4
Plastic: -
Non Ferrous: -
Thread: -

Notes:

-

Table according to ISO 7094:

dimensions in mm

Larger sizes of flat washers with a round hole DIN 440 R

d*	d₁	d₂	s
M5	5,5	18	2
M6	6,6	22	2
M8	9,0	28	3
M10	11,0	34	3
M12	13,5	44	4
M16	17,5	56	5
M20	22	72	6
M22	24	80	6
M24	26	85	6
M27	30	98	6

EU Fasteners Portal, s.r.o.

Novobranská 20
 602 00 Brno
 Czech republic
 (+420) 608 889 223

© 2014 Fasteners.eu, All rights reserved

 (<http://navrcholu.cz/Statistika/140913/>)