



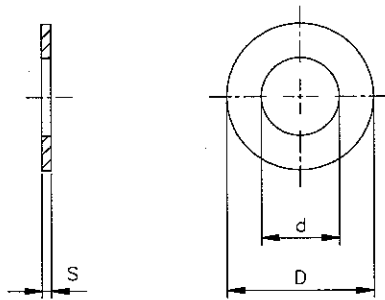
# Material Specification B/E Aerospace Nieuwegein

## Washer, Plain; Non Metal

Number: CS-153-xx  
 Page: 1 of 2  
 Date: 10-jul-2006  
 Issue: 3

### RECORD OF REVISIONS

ISSUE	DESCRIPTION	DATE
1	Initial issue	02-Sep-02
2	Document completely revised. CS-153-01 declared as obsolete. From table at page 1, reference column removed. String "New P/N CS-152" corrected to CS-153-xx. Material, properties, references and storage tables updated and if necessary corrected to the latest status. Revision of document according to ECO 4737.	16-Oct-03
3	CS-153-04 added (EWO 0044)	10-jul-2006



CS-153-xx	Issue	Old P/N	S	D	d	Material
CS-153-01	1	201235	0,5	7	3,2	Polyamide
CS-153-02	2	234026	3,0	15	8,4	Fiber
CS-153-03	2	611720	0,8	7	3,2	ISOVAL 200
CS-153-04	3	611721	0,8	9	4,3	ISOVAL 200

\* Dimensions in mm; for reference only.

Classification		-		Key number	CS-153XX
Prepared by: M. Berden	Checked by: Engineering <i>M. Berden</i>	Checked by: Process Engineering P. Roest	Checked by: Certification <i>C.S. den Drieken</i>	Checked by: Configuration Engineering <i>P. Steen's</i>	Approved by: R, D & E Manager <i>[Signature]</i>
Date: 10-jul-2006	Date: <i>10-jul-2006</i>	Date: 11 JUL 2006	Date: <i>13-Jul-06</i>	Date: 18 JUL 2006	Date:

Information contained herein is proprietary information of B/E Aerospace, CAPG, Royal Inventum facility. The dissemination, use, or duplication of this information for any purpose other than that for which the information is provided is prohibited.



# Material Specification B/E Aerospace Nieuwegein

## Washer, Plain; Non Metal

Number: CS-153-xx  
 Page: 2 of 2  
 Date: 10-jul-2006  
 Issue: 3

### 1. Material:

Description		Norm
CS-153-02 Fiber Glass/Epoxy Resin		DIN 7737
CS-153-03 CS-153-04	Epoxy Glass (Isoval <sup>®</sup> 200)	DIN 7735

### 2. Properties:

Property	Value
Thread	N/A
Finish	N/A
Ultimate strength	N/A
Hardness	N/A
E-modulus	N/A
Shear stress	N/A
Density	N/A
Linear expansion	N/A
Thermal conductivity	N/A
Temperature range	CS-153-02 Up to 100°C CS-153-03 Up to 200°C CS-153-04 Up to 200°C
Colour	CS-153-02 Red CS-153-03 Glassy Green CS-153-04 Glassy green
FDA approval	CS-153-02 Suitable for potable water. CS-153-03 N/A CS-153-04 N/A

### 3. References:

Data sheet provided from Eriks Alkmaar, Holland.  
 Data sheet provided from "Isovolta Elektrolierstoffe Austria" for Isoval<sup>®</sup> 200.

B/E Aerospace number	P/N Manufacturer *
CS-153-01	OBSOLETE
CS-153-02	N/A
CS-153-03	N/A
CS-153-04	N/A

\* or equivalent

### 4. Storage:

Store in original package at room temperature.

### 5. Safety Data:

N/A

**Key number**

**CS-153-XX**