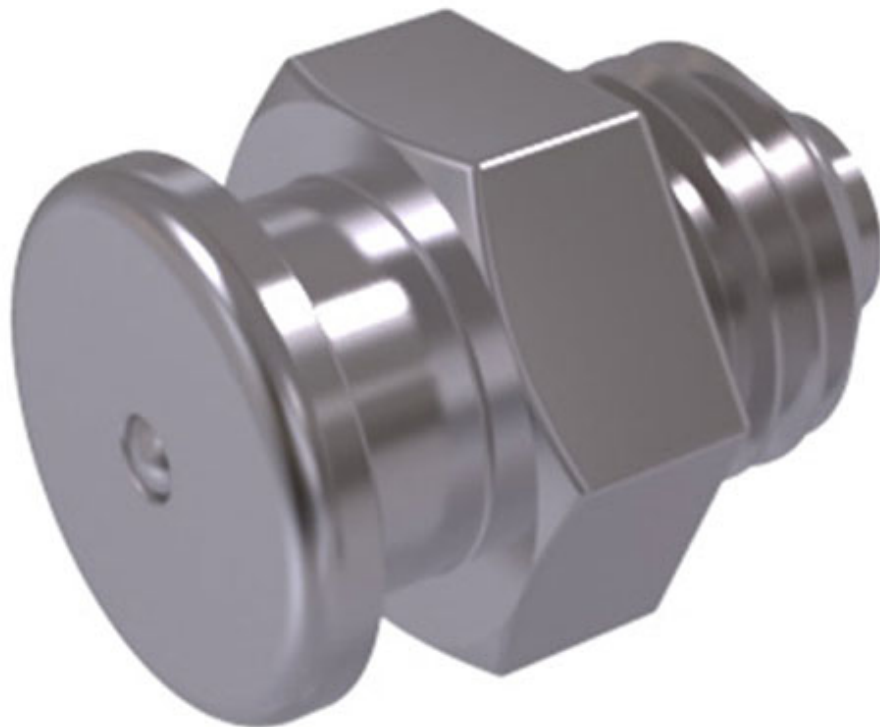




(<https://www.fasteners.eu/>)

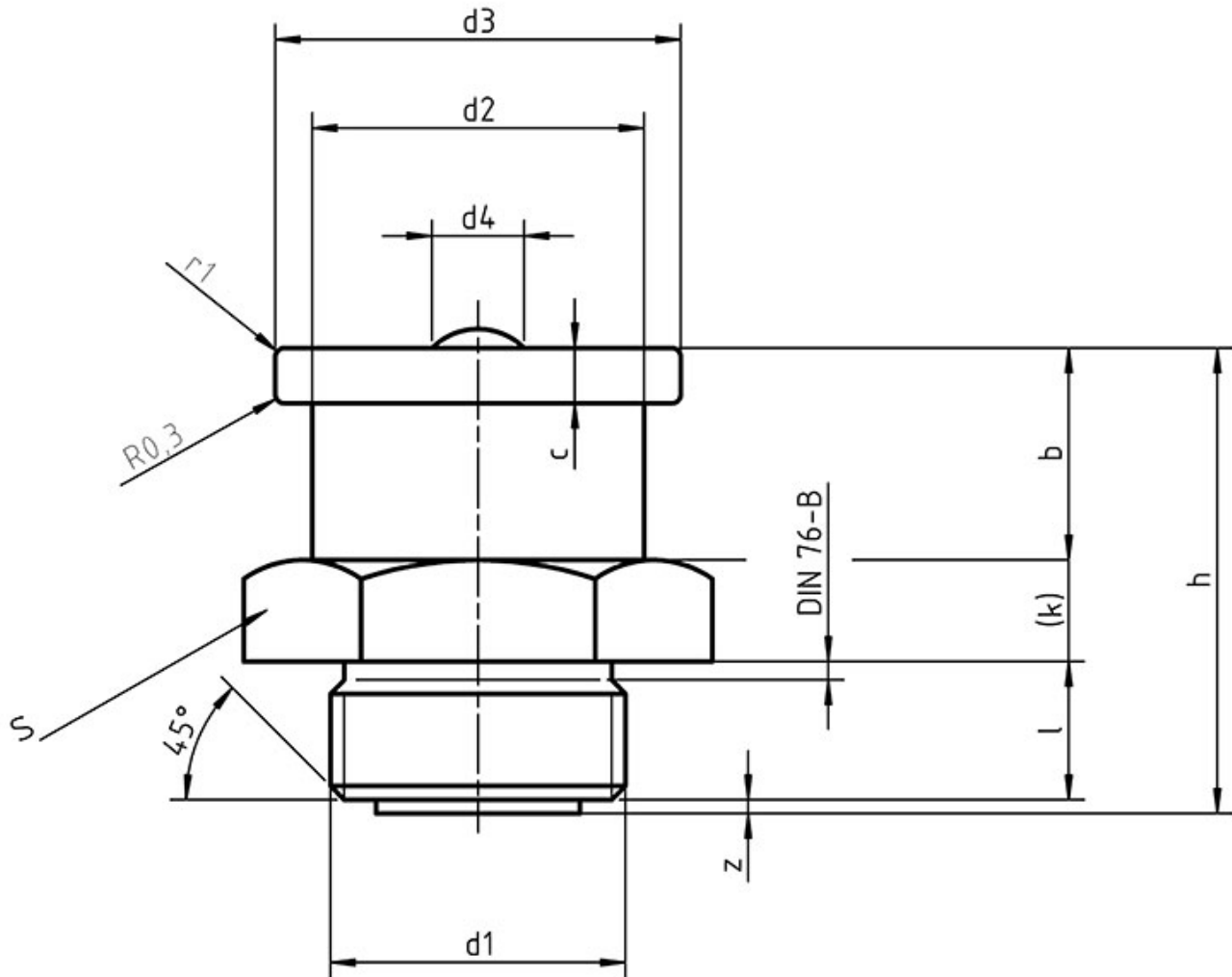
# DIN 3404 - Button head grease nipples

Current norm: DIN 3404



SEND INQUIRY ([HTTPS://WWW.FASTENERS.EU/INQUIRY/ADD/](https://www.fasteners.eu/inquiry/add/))

- Buy DIN 3404
- 
- 3D model
- Inquiries
- Overstock



## Legend:

- d4** - diameter of lubrication hole
- d3** - diameter grease nipples
- d2** - body diameter
- b** - body Height
- c** - thickness of the mounting collar
- h** - height grease nipples

l - length of the thread  
s - size hex head turnkey  
z - height

## Makings:

**Steel:** 5.8

**Stainless:** A2, A4

**Plastic:** -

**Non Ferrous:** brass

**Thread:** 6g

**Notes:**

-

## Table according to DIN 3404:

	dimensions in mm							
Size	M6x1	M6x1	M8x1	M8x1	M10x1	M10x1	M16x1,5	G1/4
B	4,8	6,5	4,8	6,5	6,5	6,5	8,5	6,5
C	1,7	2	1,7	2	2	2	3	2
D2	7,2	12	7,2	12	12	12	18	12
D3	10	16	10	16	16	16	22	16
D4min	1,5	1,5	2,5	2,5	2,9	2,9	5	2,9
Hmax	13	17	13,7	16,7	17,6	17,6	23,1	16
l	4,9	5,3	4,9	5,3	5,5	5,5	7,5	5,5
S	11	17	11	18	17	17	22	17
Zmax	0,6	0,8	0,6	0,8	1	1	1,5	1

**Note:** All the information provided on this website is provided on an "as is" and "as commonly used in production" basis and you agree that you use such information entirely at your own risk. This website gives no warranty and accepts no responsibility or liability for the accuracy or the completeness of the information and materials contained in this

website. Under no circumstances will the website be held responsible or liable in any way for any claims, damages, losses, expenses, costs or liabilities whatsoever (including, without limitation, any direct or indirect damages for loss of profits, business interruption or loss of information) resulting or arising directly or indirectly from your use of or inability to use this website.

---

**EU Fasteners Portal, s.r.o.**

Novobranská 20  
602 00 Brno  
Czech republic  
(+420) 608 889 223  
IČ: 04264100

© 2014 Fasteners.eu, All rights reserved

(<https://navrcholu.cz/Statistika/-1/>) (<https://www.toplist.cz>)

By using this site you agree to the use of cookies for analytics, personalised content and ads. [Learn more](#)  
(<https://www.google.com/policies/technologies/cookies/>).

Got it