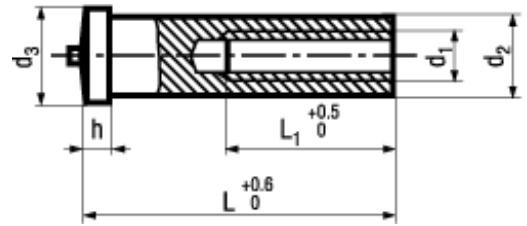




DIN 32501-5

~ISO 13918 IT

Standard withdrawn



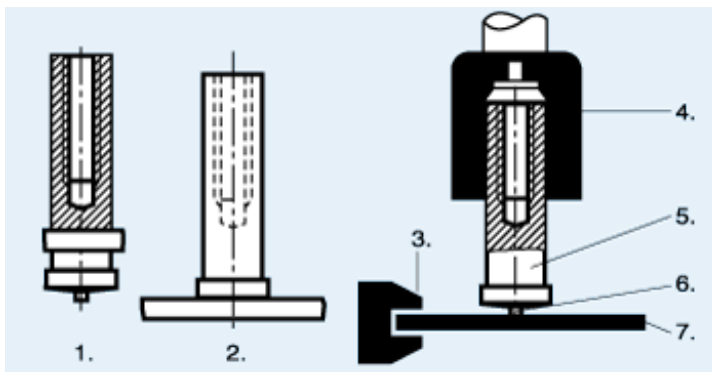
BN 1430

Weld bushing

tip ignition, with internal thread

Steel

copper plated



- 1. Before welding
- 2. After welding
- 3. Ground
- 4. Welding tong
- 5. Weld stud
- 6. Ignition head
- 7. Workpiece

Article#	d ₁	d ₂	d ₃	L ₁	h	L
1207865	M3	5	6,5	5	0,8-1,4	8
1207873						10
1207881						12
1207903						(15)
1674927						16
1207911						20
1207954	M4	6	7,5	6	0,8-1,4	10
1207962						12
1207970						(15)
1674935						16
1207989						20
1207997						25