

3

2

1

D

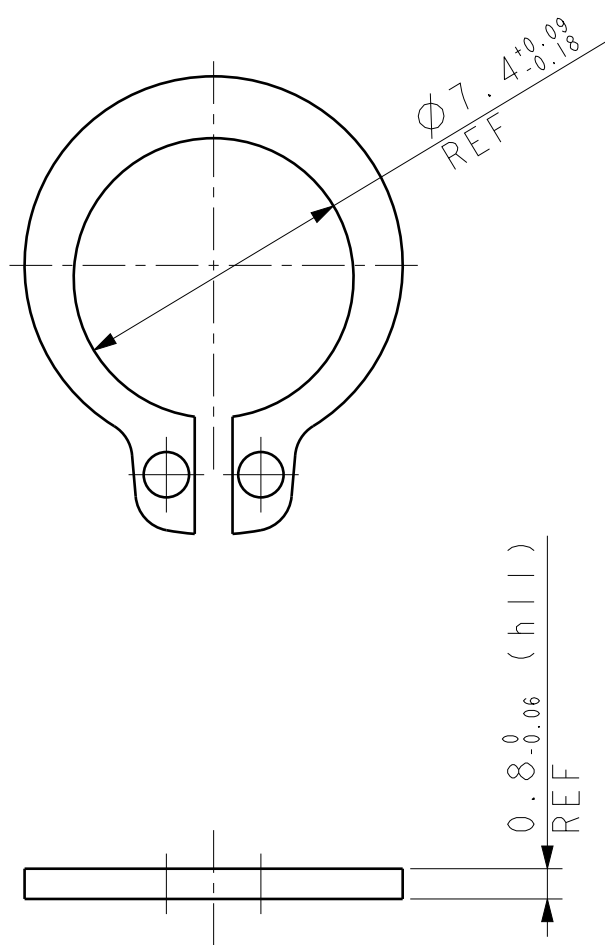
D

C

C

B

B



Notes:
 No burrs are permitted
 Oxidation black / Hardening blue

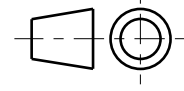
Revisione/Revision

Dis./Part Number	Rev.
21-32424	01



FASE DI SVILUPPO/DEVELOPMENT PHASE
 Released

Completivo/Assy
 M10-M35
 Fanmotor



Cebi Micromotors Switzerland SA

Disegnato/Drawn	Visto/Checked	Elemento/Part
ALESSI		Seeger Ring DIN 471- ø8

FOGLIO / SHEET
 1 / 1

Data/Date	Scala/Scale	Materiale/Material	Treatment/Treating
03.12.81	5:1	--	--

3

2

1

A

A