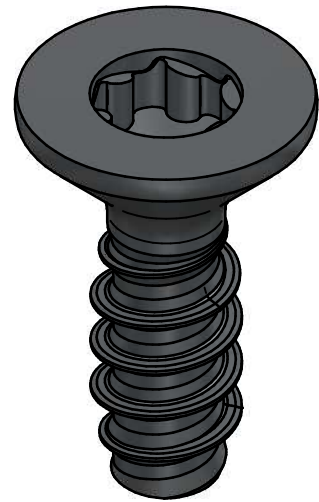
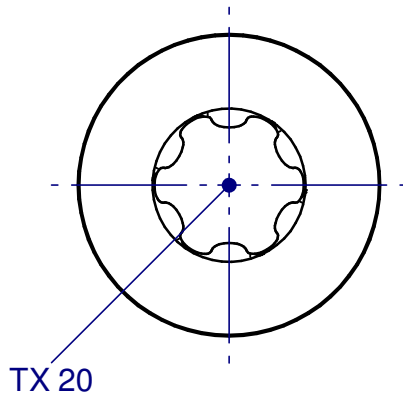
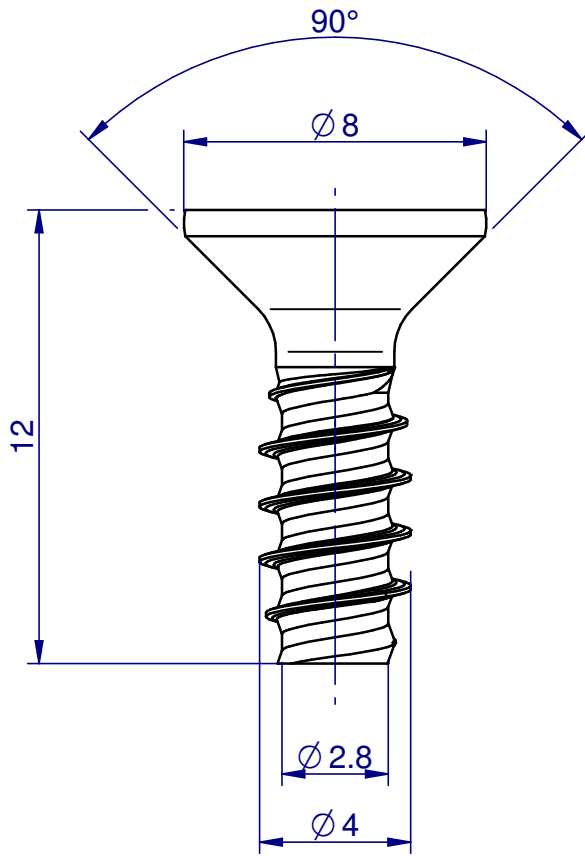


The reproduction, distribution and utilization of this document as well as the communication of its contents to others without express authorization is prohibited. Offenders will be held liable for the payment of damages. All rights reserved in the event of the grant of a patent, utility model or design



Released

Marking	Reason of Revision	Drawn By	Approved By	Approved On
	Teamcenter Import	CVO	-	-

Protection Notice	Similar Drawing Number	Raw Material Size		DIN ISO 2768 mK		
ISO 16016	12374-00	-		>0.5-6	±0.1	
All Dimensions are in mm, unless otherwise specified. Unspecified general tolerances for machined surface as per ISO 2768-mK. Deburr edges with chamfer 0.5 x 45° unless otherwise specified.	Material	Drawn By	Drawn On	DIN ISO 128-30		
	A2	CVO	9/2/2020		>6-30	±0.2
	Surface Area	Approved By	Approved On	>30-120	±0.3	
	0.43 in^2	BWE	2020-09-24	>120-315	±0.5	
				>315-1000	±0.8	
				>1000-2000	±1.2	
				>2000-4000	±2.0	

	Title; Supplementary Title	Weight	Scale
	Screw;	0.00 kg	5:1
	Document Type	Revision	Page
Bought Out Part	000	1 / 1	Size
Part Standard			A4
	Dimensions	Drawing Number	
	Delta PT_WN 5454_40 x 12	BMECSCRW1139	