

Cookies information

SKF uses cookies on our web site to align the information shown as closely as possible to the visitors' preferences and to tailor our web site user experience in general.

[See information about Cookies.](#)

I ACCEPT

[LOCATION](#)

[LOGIN](#)

SKF



[Home](#) / [Products](#) / [Rolling bearings](#) / [Bearing accessories](#) / [Lock nuts](#) / [Lock nuts requiring a keyway](#)



Image may differ from product. See the technical specification for details.

MB 25

Popular item

MB(L) lock washers

CAD DOWNLOAD

TECHNICAL SPECIFICATION
PDF

WHERE TO BUY

VIEW DATA TABLE

TECHNICAL SPECIFICATION

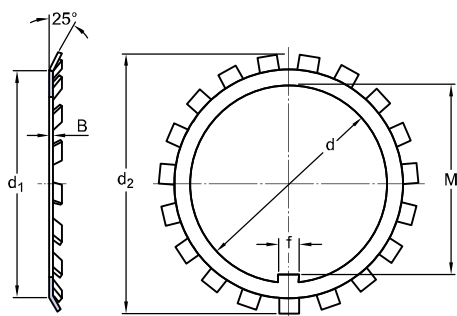
CAD MODEL

MORE INFORMATION

MORE FROM SKF

Technical specification

Display units: Metric Imperial



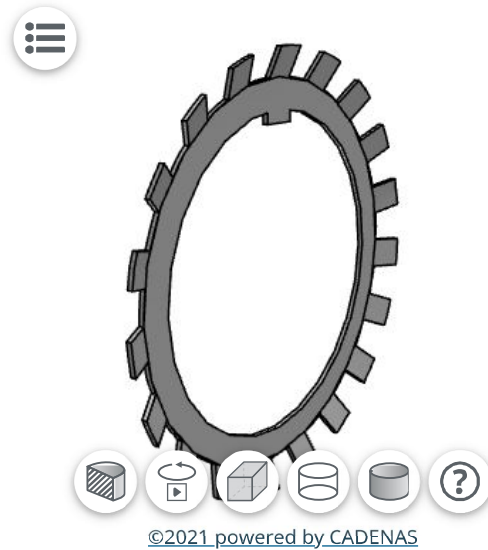
DIMENSIONS

d	125 mm
d ₁	148 mm
d ₂	170 mm
B	2 mm
f	14 mm
M	120 mm

MASS

BACK
TO TOP

CAD model



Select the desired CAD format

2D and pictures:

Select ▼

Neutral 3D:

Select ▼

Native 3D:

Select ▼

CAD DOWNLOAD

CAD MODEL PDF

For disclaimer and detailed instructions, see page [CAD Information](#)

More information

Product details

[Designs and variants](#)

[Product data](#)

[Installation and removal](#)

Tools

[Engineering Tools](#)


BACK
TO TOP

More from SKF



[Services](#)



[Lubrication management](#)



[Industrial seals](#)



[Maintenance](#)

ORGANISATION

[About SKF](#)

[Sustainability](#)

[Research and technology development](#)

[Brand protection](#)

[Supplier portal](#)

INVESTORS

[Investor relations](#)

CAREER

[Find a job](#)

[Graduates](#)

[Students](#)

[Professions](#)

[Why work at SKF?](#)

SOCIAL NEWS AND MEDIA



[Press contacts](#)

[Magazines](#)

SKF IS ON



© Copyright

[Terms and conditions](#)

[Privacy policy](#)

[Site ownership](#)

[Cookies](#)

[General conditions](#)