

Cookies information

SKF uses cookies on our web site to align the information shown as closely as possible to the visitors' preferences and to tailor our web site user experience in general.

[See information about Cookies.](#)

I ACCEPT

[LOCATION](#)

[LOGIN](#)

SKF



[Home](#) / [Products](#) / [Rolling bearings](#) / [Bearing accessories](#) / [Lock nuts](#) / [Lock nuts requiring a keyway](#)

KM 25

Popular item

Lock nuts requiring a keyway (metric)



Image may differ from product. See the technical specification for details.

CAD DOWNLOAD

TECHNICAL SPECIFICATION
PDF

WHERE TO BUY

VIEW DATA TABLE

TECHNICAL SPECIFICATION

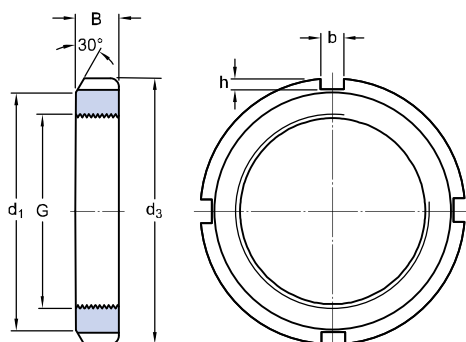
CAD MODEL

MORE INFORMATION

MORE FROM SKF

Technical specification

Display units: Metric Imperial



DIMENSIONS

G	M 125x2
d ₃	160 mm
B	21 mm
d ₁	148 mm
b	12 mm
h	

BACK
TO TOP

CALCULATION DATA

Axial static load carrying capacity

360 kN

MASS

Mass lock nut

1.1 kg

MOUNTING INFORMATION

Associated spanner

TMFN 23-30

ASSOCIATED PRODUCTS

Lock washer / Locking clip

[MB 25](#) 

CAD model



Select the desired CAD format

2D and pictures:

Select

Neutral 3D:


BACK
TO TOP

Select

Native 3D:



Select

CAD DOWNLOAD

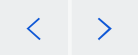
CAD MODEL PDF

For disclaimer and detailed instructions, see page [CAD Information](#)

More information

<p> Product details</p> <p>Designs and variants</p> <hr/> <p>Product data</p> <hr/> <p>Installation and removal</p> <hr/> <p>Designation system</p>	<p> Tools</p> <p>Engineering Tools</p>
---	--

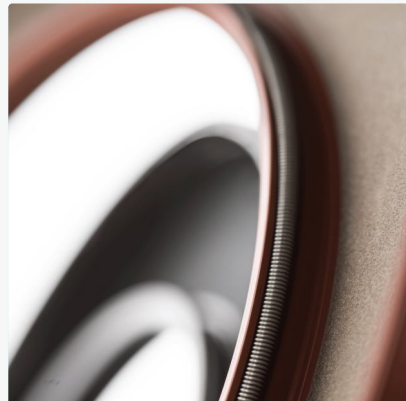
More from SKF



[Services](#)



[Lubrication management](#)



[Industrial seals](#)



[Maintenance](#)

ORGANISATION

[About SKF](#)

[Sustainability](#)

[Research and technology development](#)

CAREER

[Find a job](#)

[Graduates](#)

[Students](#)

SOCIAL NEWS AND MEDIA



[Press contacts](#)

[Magazines](#)



[Brand protection](#)

[Professions](#)

SKF IS ON

[Supplier portal](#)

[Why work at SKF?](#)



INVESTORS

[Investor relations](#)



© Copyright

[Terms and conditions](#)

[Privacy policy](#)

[Site ownership](#)

[Cookies](#)

[General conditions](#)

↑
BACK
TO TOP