

1

2

3

4

5

DRW. NO.	REV.
5002	00

Rev. No.	Date	Change	Mod by

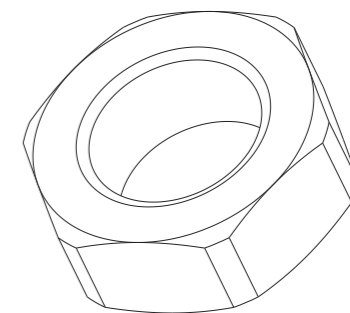
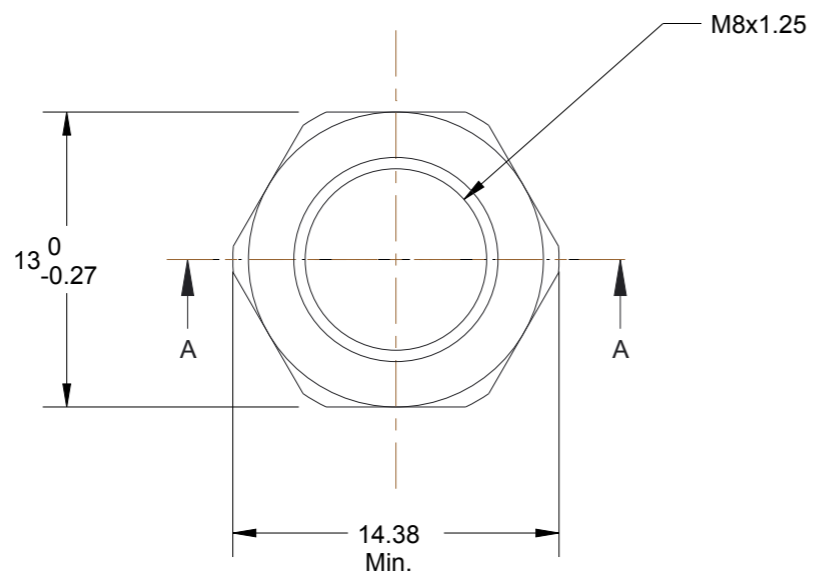
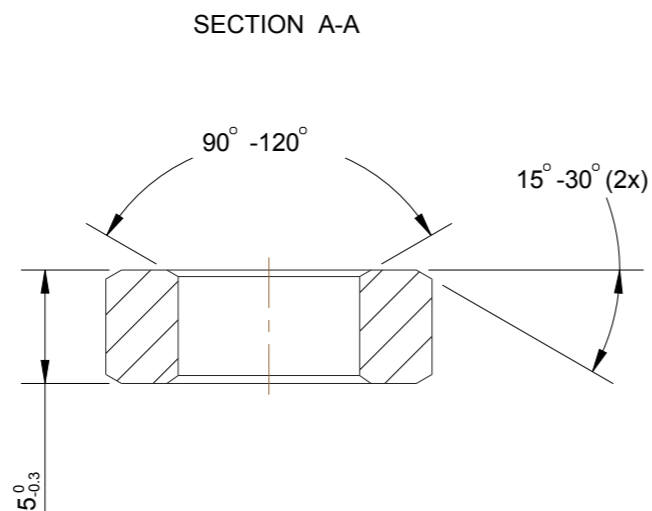
A

B

C

D

E



Note:
 1. Material: CuZn39Pb2.43
 2. Drawing reference DIN 936

NON TOLERANCED DIMENSIONS						SHEET :1of1		UNIT : mm		PROJECT:		MATERIAL:	
0.5 ...3	>3 ...6	>6 ...30	>30 ...120	>120 ...400	>400 ...1000	A3	NAME	SIGN	DATE	Solenoid assembly		See Note	
± 0.1	± 0.1	± 0.2	± 0.3	± 0.5	± 0.8	APPD.	HNK			TITLE M8 Nut		REV.	Comp.WT.: XXXX
RADI, CHAMFER						DESD.	RAM		01.07.2020	DRW. NO. 5002		00	SUPERSEDES XXXX
± 0.2	± 0.5	± 1	± 1	± 1	± 1	SCALE:NTS		-		i-WORKZ Automotive (P) Ltd.			

IF IN DOUBT ASK

NO PART OF THIS DRAWING SHOULD BE COPIED OR REPRODUCED WITHOUT WRITTEN APPROVAL OF i-WORKZ AUTOMOTIVE (P) Ltd.