

1

2

3

4

5

DRW. NO.	REV.
22225	00

Rev. No.	Date	Change	Mod by

A

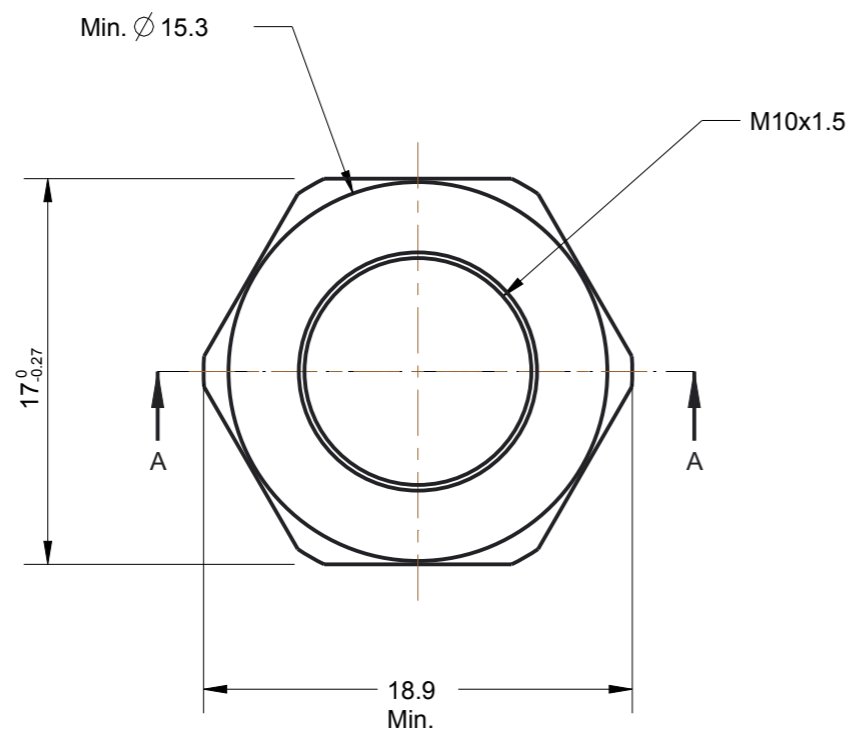
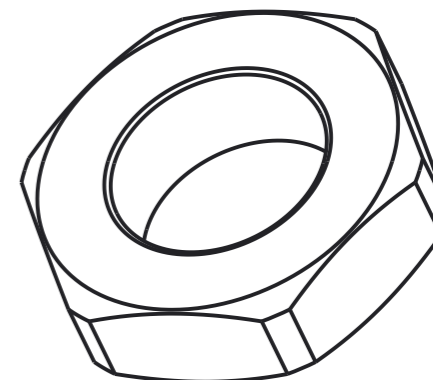
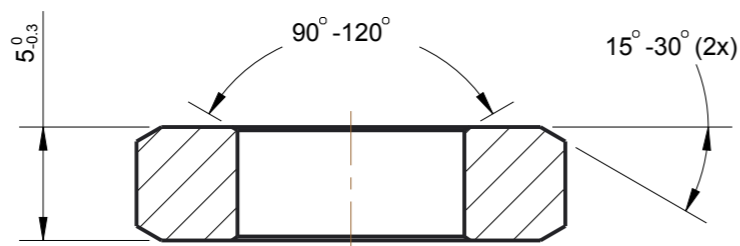
B

C

D

E

SECTION A-A



Note:  
 1. Material: CuZn39Pb2.43  
 2. Drawing reference DIN 439 B

IF IN DOUBT ASK

NO PART OF THIS DRAWING SHOULD BE COPIED OR REPRODUCED WITHOUT WRITTEN APPROVAL OF i-WORKZ AUTOMOTIVE (P) Ltd.

NON TOLERANCED DIMENSIONS						SHEET :1of1		UNIT : mm		PROJECT:		MATERIAL:	
0.5 ...3	>3 ...6	>6 ...30	>30 ...120	>120 ...400	>400 ...1000	A3	NAME	SIGN	DATE	Solenoid assembly		See Note	
± 0.1	± 0.1	± 0.2	± 0.3	± 0.5	± 0.8	APPD.	HNK			TITLE	M10 Nut	REV.	Comp.WT.: XXXX
RADI, CHAMFER						DESD.	RAM		03.07.2020	DRW. NO.	22225	00	SUPERSEDES XXXX
± 0.2	± 0.5	± 1	± 1	± 1	± 1	SCALE:NTS						i-WORKZ Automotive (P) Ltd.	