

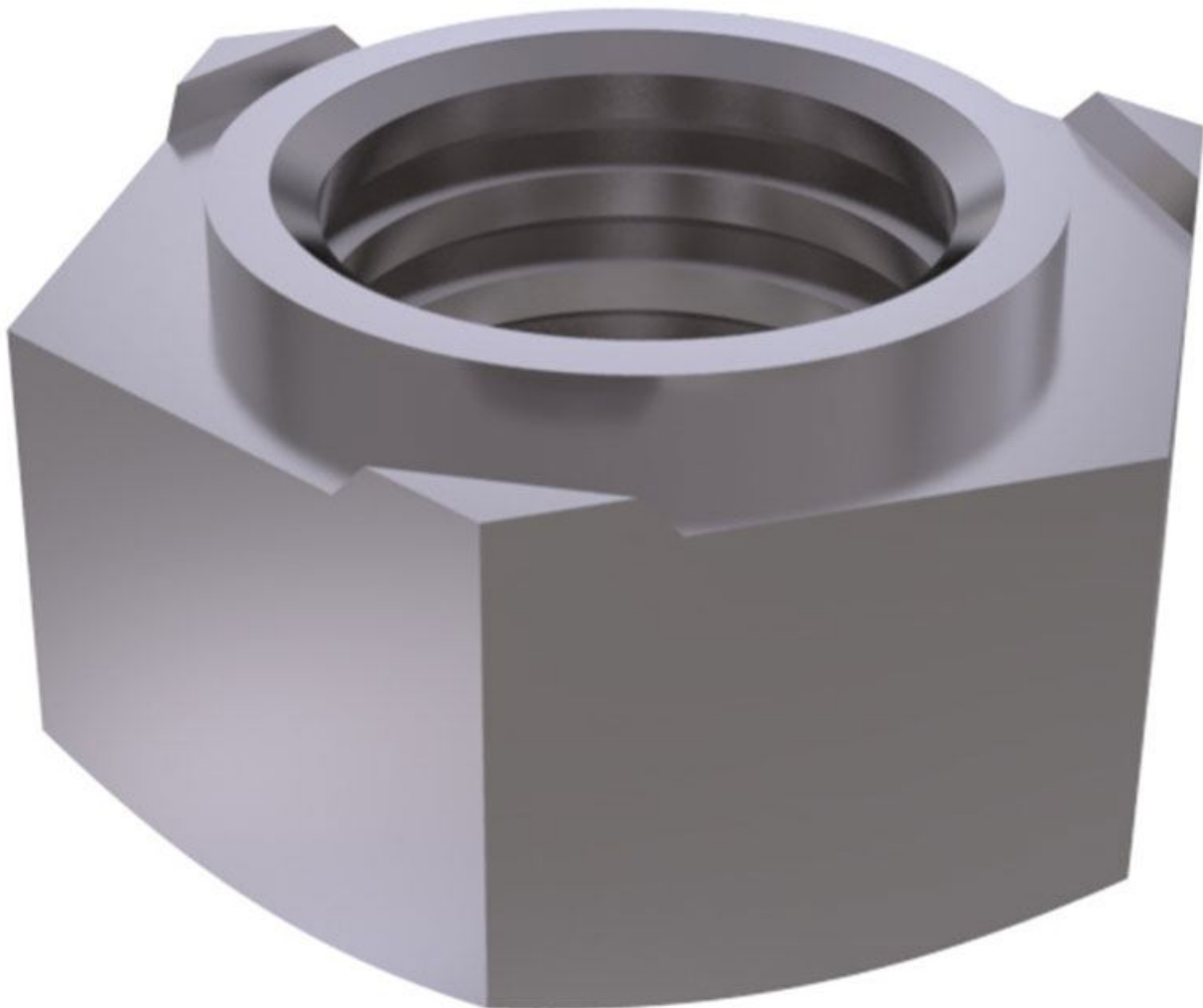


(<https://www.fasteners.eu/>)

## DIN 929 - Hexagon weld nuts

**Current norm:** DIN 929

**Equivalent norms:** CSN 021455; PN 82169;





**Com os Menores Preços**

SEND INQUIRY ([HTTPS://WWW.FASTENERS.EU/INQUIRY/ADD/](https://www.fasteners.eu/inquiry/add/))

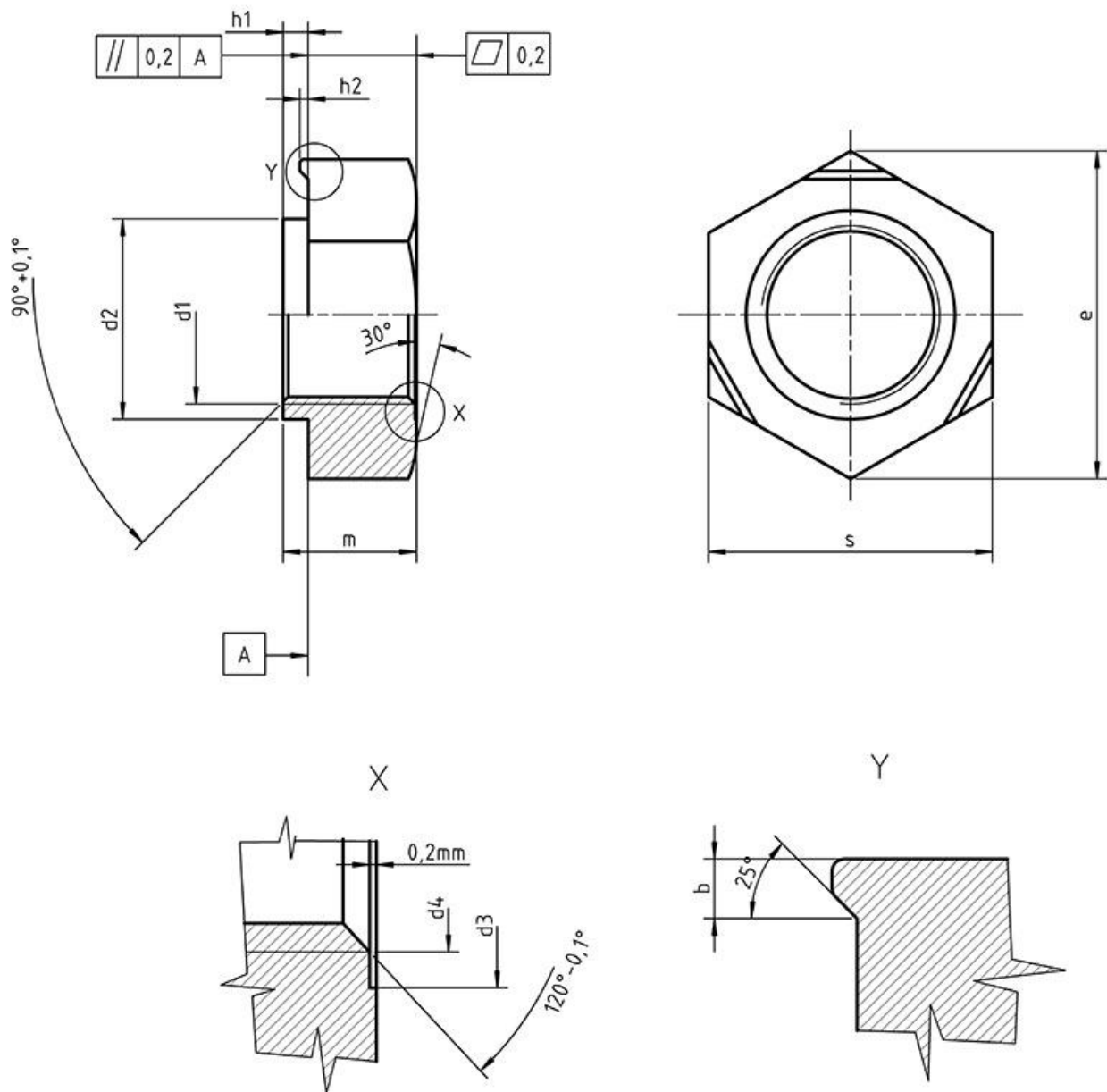
- Companies

•

- 3D model

- Inquiries

- Overstock



## Legend:

**s** - size of the hexagon

**m** - height of the nut

**d** - the nominal diameter of the thread

**d2** - diameter of the weld

# Makings:

**Steel:** steel

**Stainless:** A2, A4

**Plastic:** -

**Non Ferrous:** -

**Thread:** 6G

**Notes:**

-

## Table according to DIN 929:

dimensions in mm

Thread d1			b		d2	d3	d4
				tolerance	d11	H13	max.
M3	-	-	0,8	±0,2	4,5	4,5	3,15
M4	-	-	0,8		6	6	4,2
M5	-	-	0,8		7	7	5,25
M6	-	-	0,9	±0,22	8	8	6,3
M8	M8x1	-	1	±0,25	10,5	10,5	8,4
M10	M10x1,25	M10x1	1,25	±0,3	12,5	12,5	10,5
-	-	7/16-20 UNF-2B	1,25		12,5	13,5	11,7
-	-	7/16-20 UNF-2B	1,25		13,5	13,5	11,7
M12	M12x1,25	M12x1,5	1,25		14,8	14,8	12,6
(M14)	(M14x1,5)	-	1,5	±0,4	16,8	16,8	14,7

M16	M16x1,5	-	1,5		18,8	18,8	16,8
-----	---------	---	-----	--	------	------	------


**Note:** All the information provided on this website is provided on an "as is" and "as commonly used in production" basis and you agree that you use such information entirely at your own risk. This website gives no warranty and accepts no responsibility or liability for the accuracy or the completeness of the information and materials contained in this website. Under no circumstances will the website be held responsible or liable in any way for any claims, damages, losses, expenses, costs or liabilities whatsoever (including, without limitation, any direct or indirect damages for loss of profits, business interruption or loss of information) resulting or arising directly or indirectly from your use of or inability to use this website.

---

### EU Fasteners Portal, s.r.o.

Novobranská 20  
602 00 Brno  
Czech republic  
(+420) 608 889 223  
IČ: 04264100

© 2014 Fasteners.eu, All rights reserved

 (<http://navrcholu.cz/Statistika/140913/>) (<https://www.toplist.cz>)

By using this site you agree to the use of cookies for analytics, personalised content and ads. [Learn more](#)  
(<https://www.google.com/policies/technologies/cookies/>)

Got it