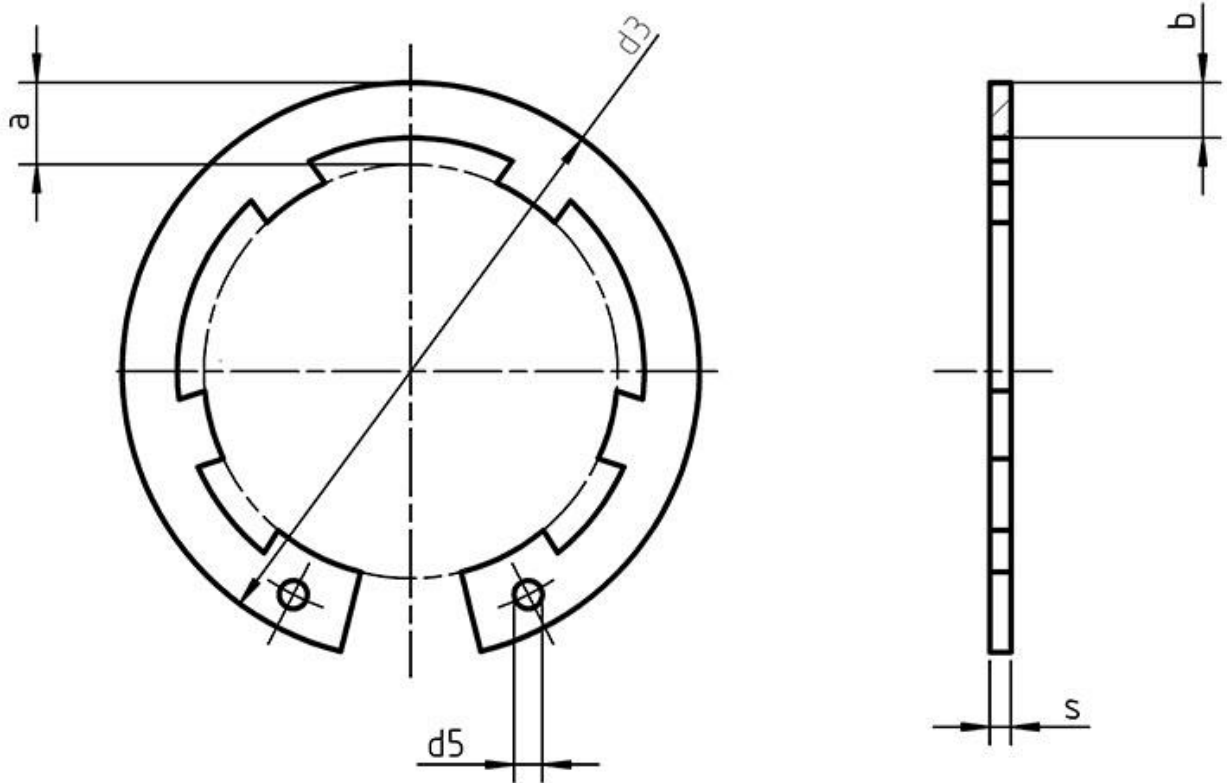


VÒNG PHANH HÃM TRỰC



Legend:

- b** - body Height
- a** - height foot ring
- d5** - diameter holes for ring opening
- s** - thickness of the ring
- d3** - Outer diameter

Makings:

Steel: steel

Dimensions (mm)

Dimensions of internal snap rings for holes DIN 984				
d₃	a max.	b	d₅ min.	s
54,2	8,2	4,7	2,5	2,0