

|                    |          |                    |                          |         |  |
|--------------------|----------|--------------------|--------------------------|---------|--|
| Change Information | Location | Change Description | A = Added<br>D = Deleted | W = Was | Document Release Status<br><b>RELEASED</b> |
| 19079              |          | See CI             |                          |         | Date<br>2018-03-19<br>Modification Count   |

## FLANGE SCREWS

M-threads  
Steel, property class 8.8  
Treated Y 1000-4, colour black  
Small widths across flats

## REQUIREMENTS

### Material

Steel, property class 8.8 STD 7121,11.

### Surface treatment

Treated Y 1000-4 colour black STD 121-0003.  
Electrolytic surface treatment.

### Others

Thread tolerance class 6e.  
Wrenching height and corner fill of hexagon STD 7121,23.  
Max. surface discontinuities STD 7121,13.  
Geometrical tolerances STD 7121,221.  
Symbols, designations and general drawing methods STD 101-0005.

The copying, distribution and utilization of this document as well as the communication of its contents to others without expressed authorization is prohibited. Offenders will be held liable for payment of damages. All rights reserved in the event of the grant of a patent, utility model or ornamental design registration.

Document Title  
**FLANGE SCREW**

**VOLVO**

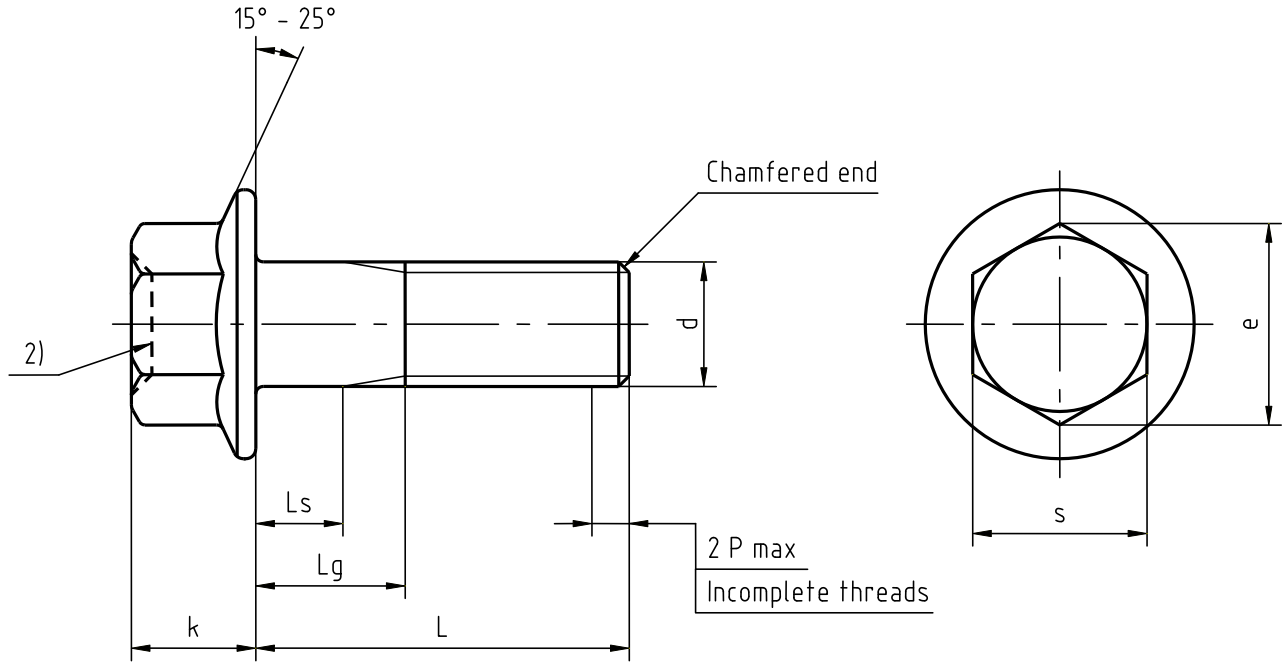
Volvo Corporate Standards

Document Type  
**MULTI-PART DEFINITION**

Owner Domain:Document Prefix

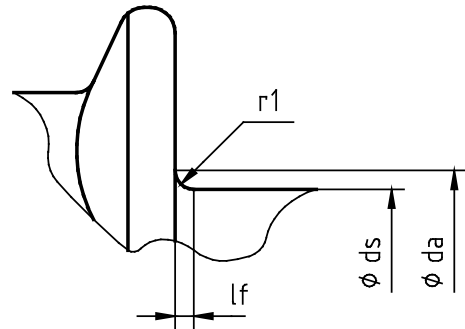
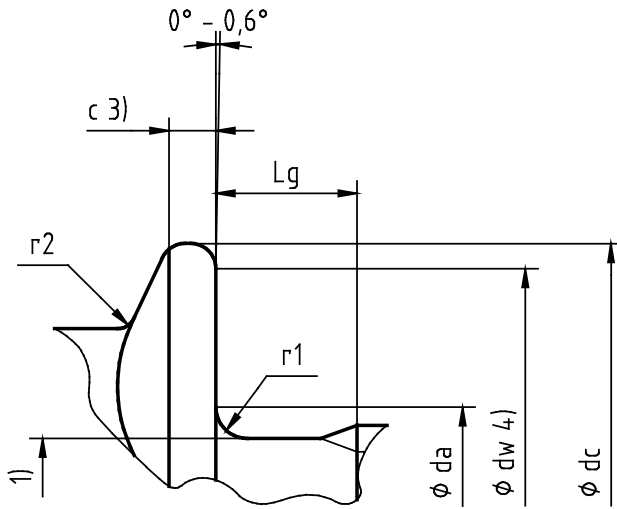
|                               |                           |           |                         |
|-------------------------------|---------------------------|-----------|-------------------------|
| Document No<br><b>1058561</b> | Issue Index<br><b>019</b> | Volume No | Page No<br><b>1 (5)</b> |
|-------------------------------|---------------------------|-----------|-------------------------|

# Dimensions



Thread run-out dimensions for fully threaded screw and flange.

Dimensions for under head fillet for partially threaded screw.



- 1)  $\approx$  thread pitch diameter
- 2) Top of the head may alternatively be recessed.
- 3) Measured at  $dw$  min as per table.
- 4) Diameter bearing surface.

**VOLVO**

Volvo Corporate Standards

Document Title  
**FLANGE SCREW**

Document Type  
**MULTI-PART DEFINITION**

Document No  
**1058561**

Issue Index  
**019**

Volume No

Page No

**2 (5)**

| Thread d     |       |       | M5        |     |              | M6     |     |              |
|--------------|-------|-------|-----------|-----|--------------|--------|-----|--------------|
| P pitch      |       |       | 0,8       |     |              | 1      |     |              |
| ds           |       |       | max 5     |     |              | 6      |     |              |
|              |       |       | min 4,82  |     |              | 5,82   |     |              |
| c 1)         |       |       | min 1     |     |              | 1,1    |     |              |
| da           |       |       | max 5,7   |     |              | 6,8    |     |              |
| lf           |       |       | max 1,4   |     |              | 1,6    |     |              |
| dc           |       |       | max 11,4  |     |              | 13,6   |     |              |
| dw 2)        |       |       | min 9,4   |     |              | 11,6   |     |              |
| e            |       |       | min 7,59  |     |              | 8,71   |     |              |
| k            |       |       | max 5,6   |     |              | 6,9    |     |              |
| r1           |       |       | min R 0,2 |     |              | R 0,25 |     |              |
| r2           |       |       | max R 0,3 |     |              | R 0,4  |     |              |
| s            |       |       | max 7     |     |              | 8      |     |              |
|              |       |       | min 6,78  |     |              | 7,78   |     |              |
| L<br>(js 15) |       |       | Ls        | Lg  | Part No.     | Ls     | Lg  | Part No.     |
| nom          | min   | max   | min       | max | max          | min    | max |              |
| 8            | 7,71  | 8,29  |           |     |              | -      | 3   | 60112518 P01 |
| 10           | 9,71  | 10,29 | -         | 2,4 | 996063 P03   | -      | 3   | 984723 P02   |
| 12           | 11,65 | 12,35 | -         | 2,4 | 996062 P03   | -      | 3   | 984724 P02   |
| (14)         | 13,65 | 14,35 |           |     |              | -      | 3   | 994372 P01   |
| 16           | 15,65 | 16,35 | -         | 2,4 | 996061 P03   | -      | 3   | 984725 P04   |
| 20           | 19,58 | 20,42 | -         | 2,4 | 996255 P03   | -      | 3   | 984726 P02   |
| (22)         | 21,58 | 22,42 |           |     |              | -      | 3   | 994373 P01   |
| 25           | 24,58 | 25,42 | 5         | 9   | 60111965 P02 | -      | 3   | 984727 P02   |
| 30           | 29,58 | 30,42 | 10        | 14  | 60111966 P02 | 7      | 12  | 984728 P02   |
| 35           | 34,5  | 35,5  | 15        | 19  | 60111967 P02 | 12     | 17  | 994374 P01   |
| 40           | 39,5  | 40,5  | 20        | 24  | 60112515 P02 | 17     | 22  | 984729 P02   |
| 45           | 44,5  | 45,5  |           |     |              | 22     | 27  | 994375 P01   |
| 50           | 49,5  | 50,5  |           |     |              | 27     | 32  | 984730 P02   |
| 55           | 54,5  | 55,5  | 35        | 39  | 60112516 P02 | 32     | 37  | 994376 P01   |
| 60           | 59,4  | 60,6  | 40        | 44  | 60112517 P02 | 37     | 42  | 984731 P02   |
| 65           | 64,4  | 65,6  |           |     |              | 42     | 47  | 994377 P01   |
| 70           | 69,4  | 70,6  |           |     |              | 47     | 52  | 60112519 P01 |
| (75)         | 74,4  | 75,6  |           |     |              | 52     | 57  | 994378 P01   |
| 80           | 79,4  | 80,6  |           |     |              | 57     | 62  | 994379 P01   |
| 90           | 89,3  | 90,7  |           |     |              | 67     | 72  | 994380 P01   |
| 100          | 99,3  | 100,7 |           |     |              | 77     | 82  | 994381 P01   |

1) Measured at dw min as per table.

2) Diameter of bearing surface.

Lengths within brackets are not recommended.

**VOLVO**

Volvo Corporate Standards

Document Title

**FLANGE SCREW**

Document Type

**MULTI-PART DEFINITION**

Document No

**1058561**

Issue Index

**019**

Volume No

Page No

**3 (5)**

| Thread d  |       |       | M7        |     | M8           |        |      |            |
|-----------|-------|-------|-----------|-----|--------------|--------|------|------------|
| P pitch   |       |       | 1         |     | 1,25         |        |      |            |
| ds        |       |       | max 7     |     | 8            |        |      |            |
|           |       |       | min 6,78  |     | 7,78         |        |      |            |
| c 1)      |       |       | min 1,1   |     | 1,2          |        |      |            |
| da        |       |       | max 8     |     | 9,2          |        |      |            |
| lf        |       |       | max 2     |     | 2,1          |        |      |            |
| dc        |       |       | max 15,1  |     | 17           |        |      |            |
| dw 2)     |       |       | min 13,1  |     | 14,9         |        |      |            |
| e         |       |       | min 10,95 |     | 10,95        |        |      |            |
| k         |       |       | max 7,6   |     | 8,5          |        |      |            |
| r1        |       |       | min R 0,4 |     | R 0,4        |        |      |            |
| r2        |       |       | max R 0,5 |     | R 0,5        |        |      |            |
| s         |       |       | max 10    |     | 10           |        |      |            |
|           |       |       | min 9,78  |     | 9,78         |        |      |            |
| L (js 15) |       |       | Ls        | Lg  | Part No.     | Ls     | Lg   | Part No.   |
| nom       | min   | max   | min       | max |              | min    | max  |            |
| 10        | 9,71  | 10,29 |           |     |              | -      | 3,75 | 994382 P01 |
| 12        | 11,65 | 12,35 |           |     |              | -      | 3,75 | 984732 P02 |
| (14)      | 13,65 | 14,35 | -         | 3   | 60113850 P01 | -      | 3,75 | 994383 P01 |
| 16        | 15,65 | 16,35 |           |     |              | -      | 3,75 | 984733 P02 |
| 20        | 19,58 | 20,42 | -         | 3   | 60112829 P01 | -      | 3,75 | 984734 P02 |
| (22)      | 21,58 | 22,42 |           |     |              | -      | 3,75 | 994384 P01 |
| 25        | 24,58 | 25,42 |           |     |              | -      | 3,75 | 984735 P02 |
| 30        | 29,58 | 30,42 |           |     |              | -      | 3,75 | 984736 P02 |
| 35        | 34,5  | 35,5  |           |     |              | -      | 3,75 | 984737 P03 |
| 40        | 39,5  | 40,5  |           |     |              | 11,75  | 18   | 984738 P02 |
| 45        | 44,5  | 45,5  |           |     |              | 16,75  | 23   | 994385 P01 |
| 50        | 49,5  | 50,5  | 25        | 30  | 996064 P01   | 21,75  | 28   | 984739 P02 |
| 55        | 54,5  | 55,5  |           |     |              | 26,75  | 33   | 994386 P01 |
| 60        | 59,4  | 60,6  |           |     |              | 31,75  | 38   | 984740 P02 |
| 65        | 64,4  | 65,6  |           |     |              | 36,75  | 43   | 994387 P01 |
| 70        | 69,4  | 70,6  |           |     |              | 41,75  | 48   | 984741 P02 |
| (75)      | 74,4  | 75,6  |           |     |              | 46,75  | 53   | 994388 P01 |
| 80        | 79,4  | 80,6  |           |     |              | 51,75  | 58   | 984742 P02 |
| (85)      | 84,3  | 85,7  |           |     |              | 56,75  | 63   | 994389 P01 |
| 90        | 89,3  | 90,7  | 65        | 70  | 996065 P01   | 61,75  | 68   | 984743 P02 |
| 95        | 94,3  | 95,7  |           |     |              | 70     | 75   | 996066 P01 |
| 100       | 99,3  | 100,7 |           |     |              | 71,75  | 78   | 984744 P02 |
| 110       | 109,3 | 110,7 |           |     |              | 81,75  | 88   | 984745 P02 |
| (115)     | 114,3 | 115,7 |           |     |              | 82,75  | 89   | 994390 P01 |
| 120       | 119,3 | 120,7 |           |     |              | 91,75  | 98   | 984746 P02 |
| 130       | 129,2 | 130,8 |           |     |              | 95,75  | 102  | 984747 P03 |
| 140       | 139,2 | 140,8 |           |     |              | 105,75 | 112  | 984748 P03 |
| 150       | 149,2 | 150,8 |           |     |              | 115,75 | 122  | 984749 P03 |
| 170       | 169,2 | 170,8 |           |     |              | 135,75 | 142  | 984750 P03 |
| 190       | 189,1 | 190,9 |           |     |              | 155,75 | 162  | 996144 P01 |

1) Measured at dw min as per table.

2) Diameter of bearing surface.

Lengths within brackets are not recommended.

**VOLVO**

Volvo Corporate Standards

Document Title

**FLANGE SCREW**

Document Type

**MULTI-PART DEFINITION**

Document No

**1058561**

Issue Index

**019**

Volume No

Page No

**4 (5)**

## INFORMATION

The dimensions agrees with ISO 15071:1999.

**VOLVO**

Volvo Corporate Standards

Document Title

**FLANGE SCREW**

Document Type

**MULTI-PART DEFINITION**

Document No

**1058561**

Issue Index

**019**

Volume No

Page No

**5 (5)**