



(<https://www.fasteners.eu/>)

# DIN 986 - Prevailing torque hexagon domed nuts with non-metallic insert



## Bodegraven-Metaal n.v./s

### Draadstangen

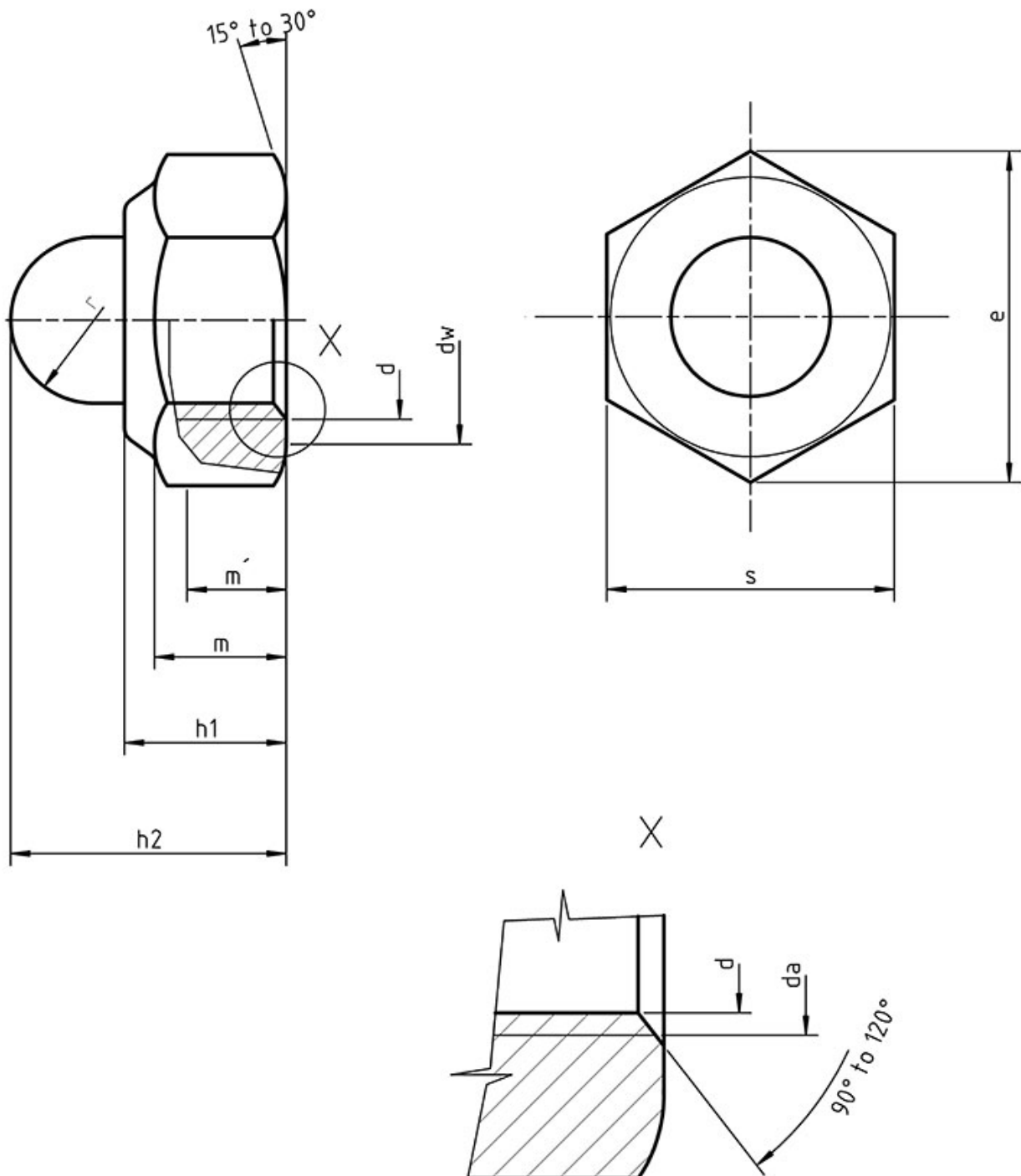
Draadstangen, Gewindestangen, Threaded rods  
976-1

bomet.com

OPEN

SEND INQUIRY ([HTTPS://WWW.FASTENERS.EU/INQUIRY/ADD/](https://www.fasteners.eu/inquiry/add/))

- Companies
- 
- 3D model
- Inquiries
- Overstock



## Legend:

**s** - size of the hexagon

**d** - the nominal diameter of the thread

**h** - height of the nut

**m** - hight of the nut part

## Makings:

**Steel:** 5,6,8,10

**Stainless:** A2,A4

**Plastic:** -

**Non Ferrous:** -

**Thread:** 6H

**Notes:**

-

## Table according to DIN 986:

		dimensions in mm					
Thread d		M4	M5	M6	M8	M10	M12
		-	-	-	M8x1	M10x1	M12x1,5
		-	-	-	-	M10x1,25	M12x1,25
P		0,7	0,8	1	1,25	1,5	1,75
da	min.	4	5	6	8	10	12
	max.	4,6	5,75	6,75	8,75	10,8	13
dw	min.	5,9	6,9	8,9	11,6	15,6	17,4
e	min.	7,66	8,79	11,05	14,38	18,9	21,1
h1	nominal	5,6	6	7,5	8,9	10,5	13,5
	max.	5,85	6,25	7,85	9,25	10,9	13,9
	min.	5,35	5,75	7,15	8,55	10,1	13,1

h2	nominal	9,6	10,5	12	14	18,1	22,5	
	max.	9,9	10,85	12,35	14,35	18,5	22,9	
	min.	9,3	10,15	11,65	13,65	17,7	22,1	
m	min.	2,9	4,4	4,9	6,44	8,04	10,37	
m	min.	2,32	3,52	3,92	5,15	6,43	8,3	
r	nominal	2,5	3	3,5	4,6	5,8	6,8	
	max.	2,7	3,5	4	5,1	6,3	7,8	
	min.	2,3	2,5	3	4,1	5,3	5,8	
s	nominal = max.	7	8	10	13	16	17	18
	min.	6,78	7,78	9,78	12,73	15,73	16,73	17,73
Width across flats s		7	8	10	13	16	17	18
Weight (7,85Kg/dm <sup>3</sup> ) kg/1000pcs		1,4	1,55	3,3	5,3	10,1	10,7	18,3

**Note:** All the information provided on this website is provided on an “as is” and “as commonly used in production” basis and you agree that you use such information entirely at your own risk. This website gives no warranty and accepts no responsibility or liability for the accuracy or the completeness of the information and materials contained in this website. Under no circumstances will the website be held responsible or liable in any way for any claims, damages, losses, expenses, costs or liabilities whatsoever (including, without limitation, any direct or indirect damages for loss of profits, business interruption or loss of information) resulting or arising directly or indirectly from your use of or inability to use this website.

### EU Fasteners Portal, s.r.o.

Novobranská 20  
602 00 Brno  
Czech republic  
(+420) 608 889 223  
IČ: 04264100

 (<http://navrcholu.cz/Statistika/140913/>)

By using this site you agree to the use of cookies for analytics, personalised content and ads. [Learn more](#)  
(<https://www.google.com/policies/technologies/cookies/>)

Got it