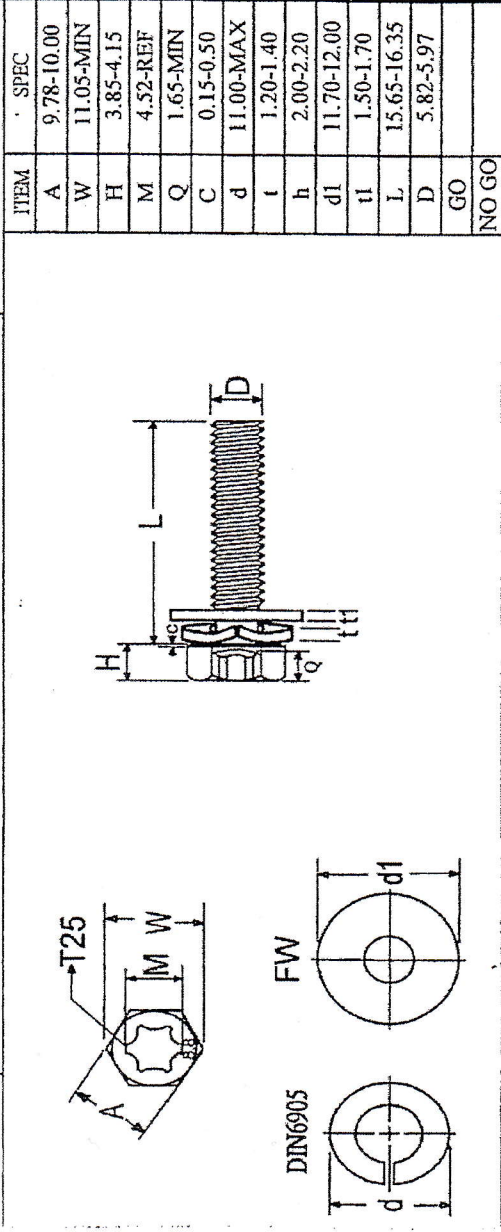


1 2 3 4 5 6 7 8

DESCRIPTION: DIN933(SIX-LOBE) HEX HEAD M6-1.0X16 C/W DIN6905+DIN6902A



ITEM	SPEC
A	9.78-10.00
W	11.05-MIN
H	3.85-4.15
M	4.52-REF
Q	1.65-MIN
C	0.15-0.50
d	11.00-MAX
t	1.20-1.40
h	2.00-2.20
d1	11.70-12.00
t1	1.50-1.70
L	15.65-16.35
D	5.82-5.97
GO	
NO GO	

NO	DATE	CHANGE	BY
1.			
2.			
3.			
4.			
5.			

NOTES:  
 1. MATERIAL: SCREW, CLASS 8.8, 10B21, HRC 22-32.  
 DIN6905, AISI C1602A, HV 420-510.  
 DIN6902A, AISI C1012 HV200-300.  
 2. FINISH: TRIVALENT ZINC (CR3+Z) PLATED.

DRAW NO	客戶編號 CLIENT NO	單位 UNIT	比例 SCALE	日期 DATE	繪圖 DRAWER	審核 CHECK	核准 APPROVAL
T134-47		MM		11/15/11			

Description		Scale	Material
		1:5	General Tol.
			Surface
			Mass
			Drawn
			Checked
			21.11.2011
			Dko
			Doc-Type 020
			Language EN
			Sheet 1/1
			Version 0
			ECO
		Number	Z0019818

35000 625/10821