

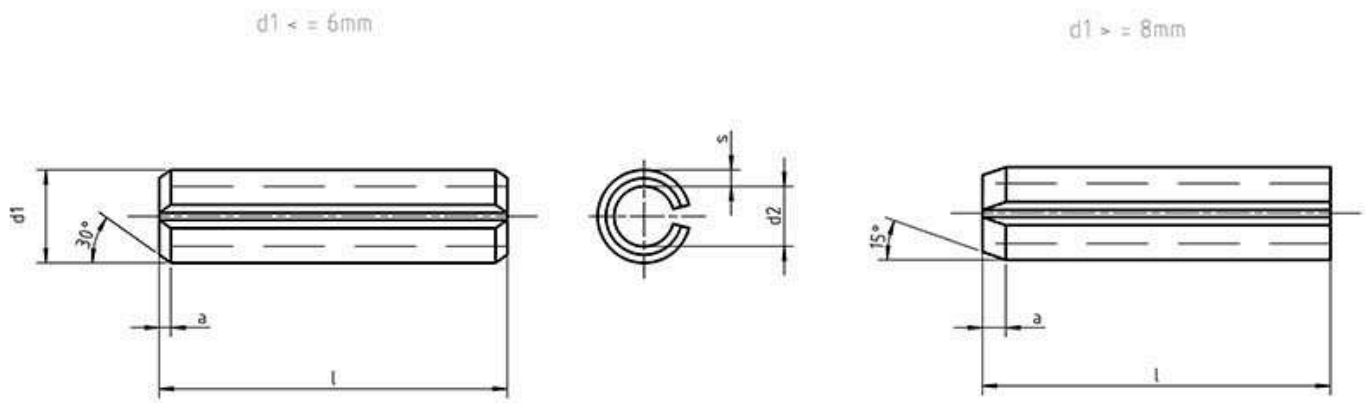
ISO 8752 - Spring-Type Straight Pins (Roll Pins) - Heavy Type

Current norm: DIN EN ISO 8752

Equivalent norms: DIN 1481; CSN 022156; PN 85023; UNI 6873; EU 28752;



SEND INQUIRY ([HTTPS://WWW.FASTENERS.EU/INQUIRY/ADD/](https://www.fasteners.eu/inquiry/add/))



Legend:

l - pin length

d1 - pin diameter

a - taper

s - wall thickness of the pin

d2 - pin diameter before installation

Makings:

Steel: spring steel

Stainless: A1,A2

Plastic: -

Non Ferrous: -

Thread: -

Notes:

-

Table according to DIN 1481:

dimensions in mm

Dimension		1	1,5	2	2,5	3	3,5	4
a		0,15	0,25	0,35	0,4	0,5	0,6	0,65
d1	min.	1,2	1,7	2,3	2,8	3,3	3,8	4,4
	max.	1,3	1,8	2,4	2,9	3,5	4	4,6
d2	approx.	0,8	1,1	1,5	1,8	2,1	2,3	2,8
s		0,2	0,3	0,4	0,5	0,6	0,75	0,8
shearing kN	shear force	0,35	0,79	1,41	2,19	3,16	4,53	5,62
	double shear	0,7	1,58	2,82	4,38	6,32	9,06	11,24
l	tol.	weight kg/1000pcs						
4		0,015	0,034	0,061	0,095	0,136	0,197	0,239
5	+0,5	0,019	0,043	0,077	0,118	0,17	0,246	0,299
6	0	0,023	0,051	0,091	0,142	0,204	0,296	0,358
8		0,031	0,068	0,122	0,189	0,272	0,394	0,478
10		0,038	0,085	0,153	0,236	0,34	0,493	0,597
12		0,045	0,103	0,184	0,283	0,407	0,591	0,716
14		0,052	0,12	0,214	0,33	0,475	0,689	0,836
16		0,059	0,137	0,244	0,377	0,543	0,788	0,955
18		0,067	0,154	0,275	0,424	0,611	0,886	1,07
20		0,076	0,171	0,305	0,471	0,679	0,985	1,19
22				0,336	0,519	0,746	1,08	1,31
24	+1			0,367	0,565	0,814	1,18	1,43
26	0			0,97	0,613	0,882	1,28	1,55

28				0,427	0,66	0,95	1,38	1,67
30				0,458	0,707	1,02	1,48	1,79
32						1,09	1,58	1,91
36						1,22	1,77	2,18
40						1,36	1,97	2,39
45								2,68
50								2,98
55								
60								
65								
70								
75								
80								
85	+1,5							
90	0							
95								
100								
120								
140								
160								
180								

Note: All the information provided on this website is provided on an “as is” and “as commonly used in production” basis and you agree that you use such information entirely at your own risk. This website gives no warranty and accepts no responsibility or liability for the accuracy or the completeness of the information and materials contained in this website. Under no circumstances will the website be held responsible or liable in any way for any claims, damages, losses, expenses, costs or liabilities whatsoever (including, without limitation, any direct or indirect damages for loss of profits, business interruption or loss of information) resulting or arising directly or indirectly from your use of or inability to use this website.

EU Fasteners Portal, s.r.o.

Novobranská 20
602 00 Brno
Czech republic
(+420) 608 889 223
IČ: 04264100

© 2014 Fasteners.eu, All rights reserved

(<https://www.toplist.cz>)

By using this site you agree to the use of cookies for analytics, personalised content and ads. [Learn more](#)
(<https://www.google.com/policies/technologies/cookies/>).

Got it