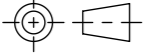
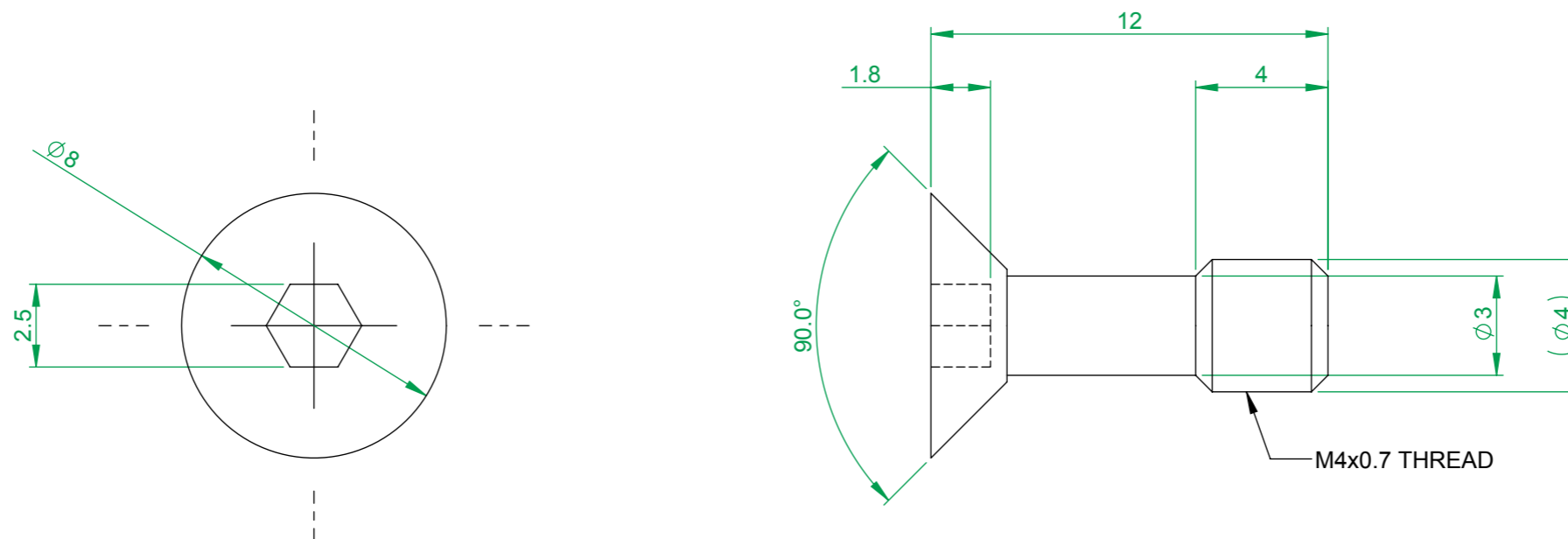


Third Angle Projection 


Do Not Scale

Dimensions in mm



- NOTES:  
 1. MATERIAL: STAINLESS STEEL TYPE 304 OR 18-8  
 2. FINISH: PASSIVATE  
 3. BREAK ALL SHARP EDGES 0.25MM MAX.

Sheet 1 of 1

2	05.09.14	CHANGED LENGTH FROM 9mm TO 12mm	Scale 5:1	Copyright Reserved Written Permission To Copy Should Be Obtained	Measurement Technology Ltd, Luton, England 	Title CAPTIVE SCREW, M4 X 12mm LG FLT HD SOC	Drg. No	Iss.
Iss	Date	Modification	Tolerance .X ± 0.25				10103852	2