



(<https://www.fasteners.eu/>)

DIN 910 - Screw plugs with collar and outer hexagon, cylindrical thread

Current norm: DIN 910

Equivalent norms: CSN 021915;



Ad

Stainless steel screws

Manufacturer

Stainless steel screws Production and sales integration

hlsinox.com

OPEN

SEND INQUIRY ([HTTPS://WWW.FASTENERS.EU/INQUIRY/ADD/](https://www.fasteners.eu/inquiry/add/))

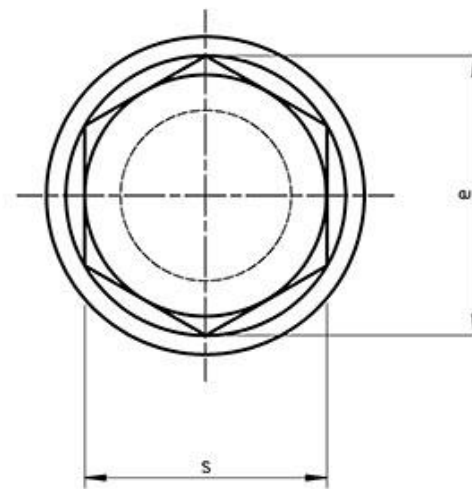
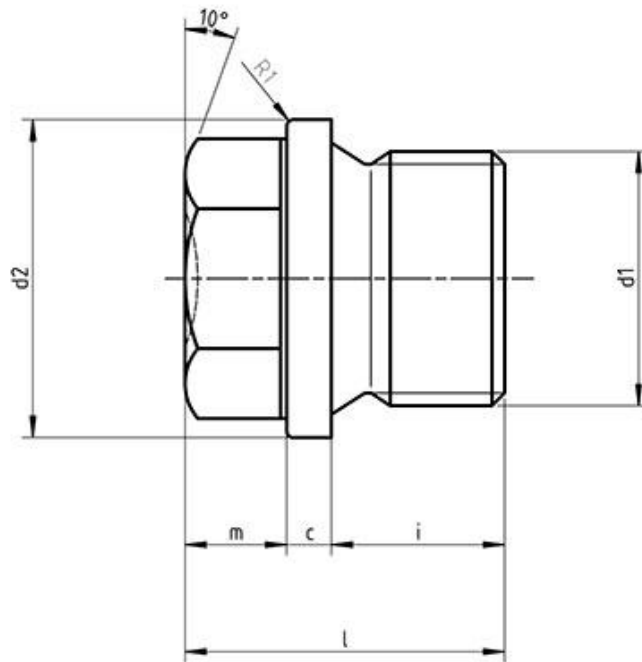
Companies

Technical information

3D model

Inquiries

Overstock



Legend:

Makings:

s - size hex head turnkey**l** - length**d2** - Outer diameter of Collars**d1** - the nominal diameter of the thread**Steel:** steel**Stainless:** A2, A4**Plastic:** -**Non Ferrous:** Brass**Thread:** metric, pipe tipe G**Notes:**

-

Table according to DIN 910:

dimensions in mm											
d1		c	d2	e	i	l	s	t	w	Weight (7,85 kg/dm3) kg/1000 pieces	
Metric fine screw thread in accordance with DIN 13 Part 5, Part 6 or Part 7	Pipe thread in accordance with DIN ISO 228, Part 1	+0,5	h14	min.	±0,2	approx.	D12	min.	min.		
M 10x1	-	G1/8 A	3	14	5,7	8	11	5	5	3	6,34
M12 x 1,5	-	-	3	17	6,9	12	15	6	7	3	11,3
-	-	G1/4 A	3	18	6,9	12	15	6	7	3	14,6
M14 x 1,5	-	-	3	19	6,9	12	15	6	7	3	16
M16x1,5	-	-	3	21	9,2	12	15	8	7,5	3	19

-	-	G3/8 A	3	22	9,2	12	15	8	7,5	3	21,4
M18x1,5	-	-	4	23	9,2	12	16	8	7,5	3	28,3
M20x1,5	-	-	4	25	11,4	14	18	10	7,5	4	37,5
-	-	G1/2 A	4	26	11,4	1	18	10	7,5	4	40,8
M22x1,5	-	-	4	27	11,4	14	18	10	7,5	4	47,5
M24x1,5	-	-	4	29	13,7	14	18	12	7,5	4	53,5
M26x1,5	-	-	4	31	13,7	16	20	12	9	4	68,7
-	M27x2	G 3/4 A	4	32	13,7	16	20	12	9	4	73,5
M 30x1,5	M30x2	-	4	36	19,4	16	20	17	9	4	84
-	M33x2	G 1 A	5	39	19,4	16	21	17	9	4	111
M 36x1,5	M36x2	-	5	42	21,7	16	21	19	10,5	4	134
M38x1,5	-	G 1 1/8 A	5	44	21,7	16	21	19	10,5	4	149
-	M39x2	-	5	46	21,7	16	21	19	10,5	4	163
M42x1,5	M42x2	G 1 1/4 A	5	49	25,2	16	21	22	10,5	4	187
M45x1,5	M45x2	-	5	52	25,2	16	21	22	10,5	4	215
M48x2	M48x2	G 1 1/2 A	5	55	27,4	16	21	24	10,5	4	246
M52x1,5	M52x2	-	5	60	27,4	16	21	24	10,5	4	302


-	-	G 1 3/4 A	5	62	36,6	20	25	32	14	4	320
-	M56x2	-	5	64	36,6	20	25	32	14	4	386
-	M60x2	G 2 A	5	68	36,6	20	25	32	14	4	445
-	M64x2	-	5	72	36,6	20	25	32	14	4	530

Note: All the information provided on this website is provided on an “as is” and “as commonly used in production” basis and you agree that you use such information entirely at your own risk. This website gives no warranty and accepts no responsibility or liability for the accuracy or the completeness of the information and materials contained in this website. Under no circumstances will the website be held responsible or liable in any way for any claims, damages, losses, expenses, costs or liabilities whatsoever (including, without limitation, any direct or indirect damages for loss of profits, business interruption or loss of information) resulting or arising directly or indirectly from your use of or inability to use this website.

EU Fasteners Portal, s.r.o.

Novobranská 20
602 00 Brno
Czech republic
(+420) 608 889 223
IČ: 04264100

© 2014 Fasteners.eu, All rights reserved

 (<http://navrcholu.cz/Statistika/140913/>) (<https://www.toplist.cz>)

By using this site you agree to the use of cookies for analytics, personalised content and ads. [Learn more \(https://www.google.com/policies/technologies/cookies/\)](https://www.google.com/policies/technologies/cookies/)

Got it