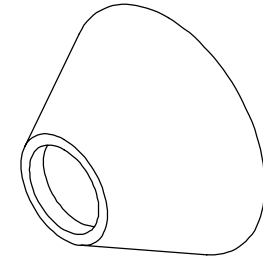
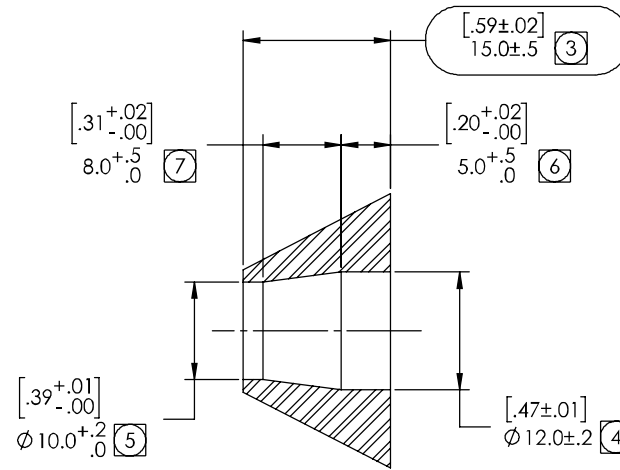
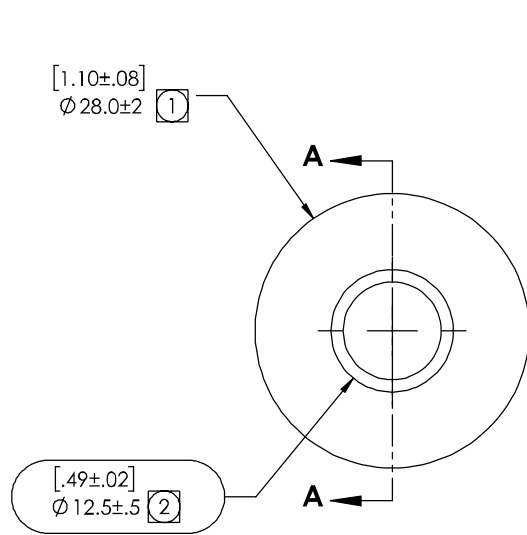


REVISIONS						
REV	ECO #	DESCRIPTION	ZONE	BY	DATE	APPROVED
A	ECO-004297	RELEASED TO PRODUCTION	-	NP	10/04/2019	KT
B	ECO-004961	UPDATED NOTES TO INCLUDE PASSIVATION NOTE	-	BA	08/05/2020	RD



SECTION A-A

NOTES: UNLESS OTHERWISE SPECIFIED

- BREAK ALL SHARP EDGES.
- SURFACE FINISH: $\sqrt{3.2}$ METRIC, [$\sqrt{125}$ US] OR BETTER, PRIOR TO FINISH.
- DIMENSIONS AND TOLERANCES APPLY TO PART AFTER REQUIRED FINISH IS APPLIED AND PART IS IN UNRESTRAINED STATE.
- ALL HOLES TO BE VISUALLY CLEAR OF EXCESS ZINC.
- PART SHALL BE FREE OF SHOP DEBRIS AND LIQUID CONTAMINANTS.
- REFER QMS-000460 SECTION 1 FOR PASSIVATION GUIDELINES.

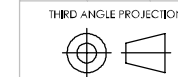
PROPRIETARY AND CONFIDENTIAL
 THE INFORMATION CONTAINED IN THIS DRAWING IS THE SOLE PROPERTY OF NEXTRACKER CORPORATION. ANY REPRODUCTION IN PART OR AS A WHOLE WITHOUT THE WRITTEN PERMISSION OF NEXTRACKER IS PROHIBITED.

UNLESS OTHERWISE SPECIFIED:
DIMENSION UNITS: mm [IN]
 PRIMARY UNITS ARE METRIC.
 IMPERIAL DIMENSIONS ARE FOR REFERENCE ONLY

TOLERANCES:
 ANGULAR: ±1°
 LINEAR .X±2.0 [.079]
 LINEAR .X±1.2 [.047]
 LINEAR .XX±0.50 [.020]

INTERPRET DRAWING PER ASME Y14.100-2013
 INTERPRET GEOMETRIC TOLERANCING PER ASME Y14.5-2009
DO NOT SCALE DRAWING

NAME	DATE
DRAWN BY: SH	11/27/2018
ENG APPROV: AA	11/27/2018



MATERIAL: Q345B STEEL PER GB/T 1591
 FINISH: HOT-DIP GALVANIZED PER ASTM A123M

DESCRIPTION
**CONE SPACER,
 DAMPER MOUNT, V2**

SIZE B	PART NUMBER 43014	REV B
------------------	-----------------------------	-----------------

SCALE: 2:1 WEIGHT: 0.03 kg SHEET 1 OF 1

REV B
43014