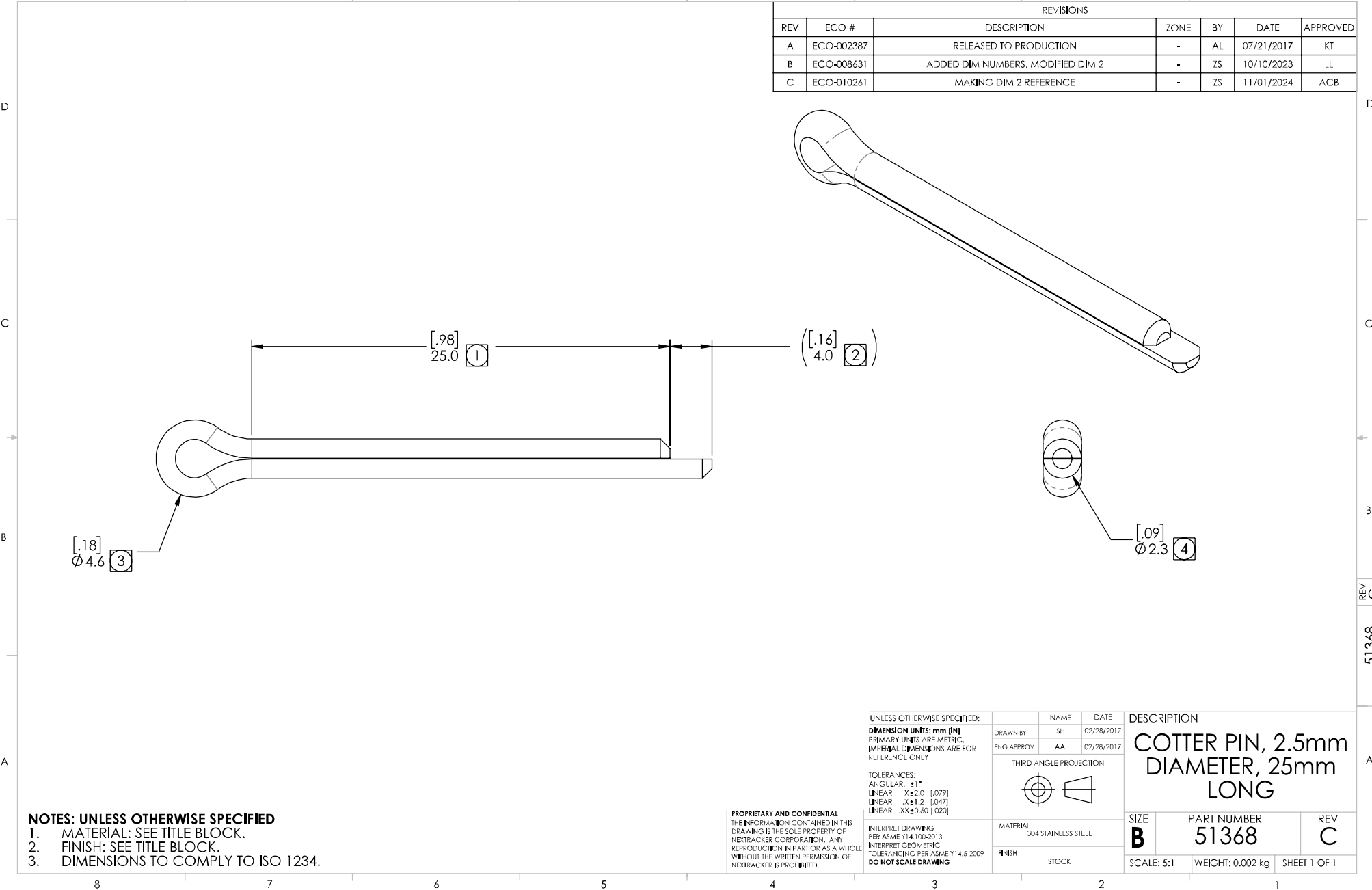


REVISIONS						
REV	ECO #	DESCRIPTION	ZONE	BY	DATE	APPROVED
A	ECO-002387	RELEASED TO PRODUCTION	-	AL	07/21/2017	KT
B	ECO-008631	ADDED DIM NUMBERS, MODIFIED DIM 2	-	ZS	10/10/2023	LL
C	ECO-010261	MAKING DIM 2 REFERENCE	-	ZS	11/01/2024	ACB



NOTES: UNLESS OTHERWISE SPECIFIED
 1. MATERIAL: SEE TITLE BLOCK.
 2. FINISH: SEE TITLE BLOCK.
 3. DIMENSIONS TO COMPLY TO ISO 1234.

PROPRIETARY AND CONFIDENTIAL
 THE INFORMATION CONTAINED IN THIS DRAWING IS THE SOLE PROPERTY OF NEXTRACKER CORPORATION. ANY REPRODUCTION IN PART OR AS A WHOLE WITHOUT THE WRITTEN PERMISSION OF NEXTRACKER IS PROHIBITED.

UNLESS OTHERWISE SPECIFIED:		NAME	DATE
DIMENSION UNITS: mm [IN]		SH	02/28/2017
PRIMARY UNITS ARE METRIC. IMPERIAL DIMENSIONS ARE FOR REFERENCE ONLY		AA	02/28/2017
TOLERANCES:		THIRD ANGLE PROJECTION	
ANGULAR: ±1°			
LINEAR: X±2.0 [0.79]			
LINEAR: .X±1.2 [0.47]			
LINEAR: .XX±0.50 [0.20]		MATERIAL	304 STAINLESS STEEL
INTERPRET DRAWING PER ASME Y14.100-2013		FINISH	STOCK
INTERPRET GEOMETRIC TOLERANCING PER ASME Y14.5-2009			
DO NOT SCALE DRAWING			

DESCRIPTION		
COTTER PIN, 2.5mm DIAMETER, 25mm LONG		
SIZE	PART NUMBER	REV
B	51368	C
SCALE: 5:1	WEIGHT: 0.002 kg	SHEET 1 OF 1

REV C
51368