
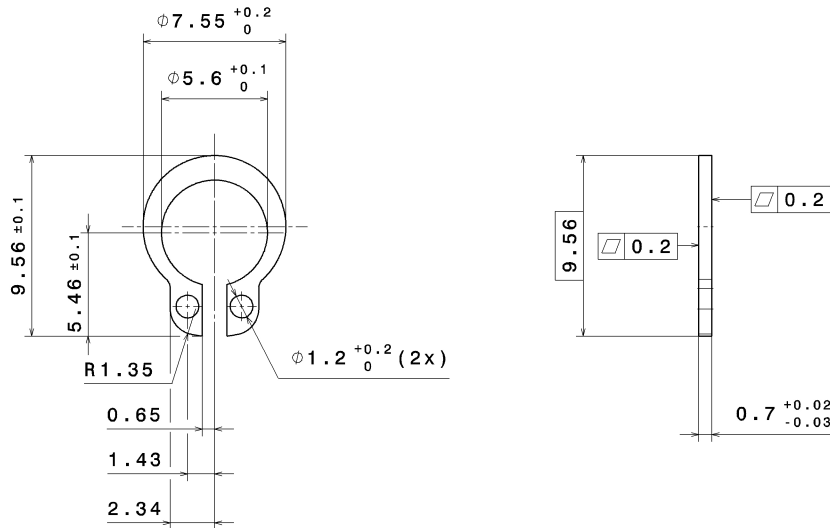


3D
1:1




Missing dimensions see CAD-model

Confidential

Size of fit	upper level	lower level	AA	--	Release for production
Allowable deviations on untoleranced dim. +/- 0.2			Version	Section	Revision record
Angle (deg.)	Standard dimension:		Version	AA	Remark: NOT RELEASED --
Forged dimension:	Cast dimension:		Document change notice	100968	According to Standard
Edge finish	ISO 13715		Designed	Checked	
Surface to ISO 21920-1	AIAG - CQI-9 assessment once a year		2024-11-20		
All dimension apply to finished part after surface treatment.	"Special Characteristics" acc. to ESN R-01300		KUCHARP		
F/Function Relevant/ N/Minor Characteristic	Material		Edscha Hradec s.r.o.		GPS acc. to ISO 8015
5/Safety Relevant 7 2/Approval Relevant 7	see J17435		Dimension standard		Refer to protection notice ISO 16016
Release for type test required: no	Surface treatment		Phillip for shaft D 6mm		Title block according ESN R-50710
Projection: ISO 128-3	Scale		Sheet treatment		Catia V5 Modify only via CAD
English language is the original and the reference in case of dispute.	5:1		Title		
Any other language is only for information and has not checked prior to release of the drawing.	Weight, app. (including number mirror image)		CIRCLIP		
0.2 g					[without drawing]
Status	Drawing number	DocType	DocPart	DocVersion	Format
ML	M01694900	/5ED/001/	AA	2	