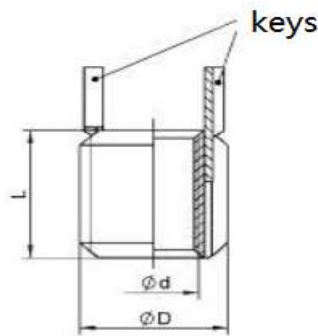


Wuxi LKN fastening systems Co.Ltd



Key-lock thread insert Metric

Order No.	d	D	L	drill diameter	drill depth
EKLIM0002	M2*0.4	M4*0.7	3	3.4	4
EKLIM0025	M2.5*0.45	M4.5*0.75	3.8	3.9	5
EKLIM0003	M3*0.5	M5*0.8	4.25	4.2	5.5
EKLIM0004	M4*0.7	M6*0.75	5.25	5.5	6.5
EKLIM0005	M5*0.8	M8*1.25	8	6.9	9.5
EKLIM0006	M6*1.0	M10*1.25	10	8.8	11.5
EKLIM0008	M8*1.25	M12*1.25	12	10.8	13.5
EKLIM00010	M10*1.5	M14*1.5	14	12.8	15.5
EKLIM00012	M12*1.75	M16*1.5	16	14.8	17.5
EKLIM00014	M14*2	M20*1.5	20	17.8	22
EKLIM00016	M16*2	M22*1.5	22	20.5	24

insert with internal thread size M8 and above has 4 keys. Smaller has 2 keys.

material: SUS303 or carbon steel ,

other materials and sizes are available upon special requests

Key-lock thread insert Inch

Order No.	d	D	L mm	drill diameter mm	drill depth mm
EKLII004-40	4-40	10-32	4.3	4.1	5.3
EKLII006-32	6-32	10-28	4.3	4.7	5.3
EKLII008-32	8-32	1/4-28	5.6	5.8	6.6
EKLII0010-32	10-32	5/16-18	7.9	6.9	8.9
EKLII0014-20	1/4-20	3/8-16	9.4	8.4	10.4
EKLII0516-18	5/16-18	7/16-14	10.9	10	12
EKLII0038-16	3/8-16	1/2-13	12.7	11.5	13.7
EKLII0012-13	1/2-13	5/8-11	15.7	14.7	16.7

insert with internal thread size 1/4 and above has 4 keys. Smaller has 2 keys.

material: SUS303 or carbon steel ,

other materials and sizes are available upon special requests