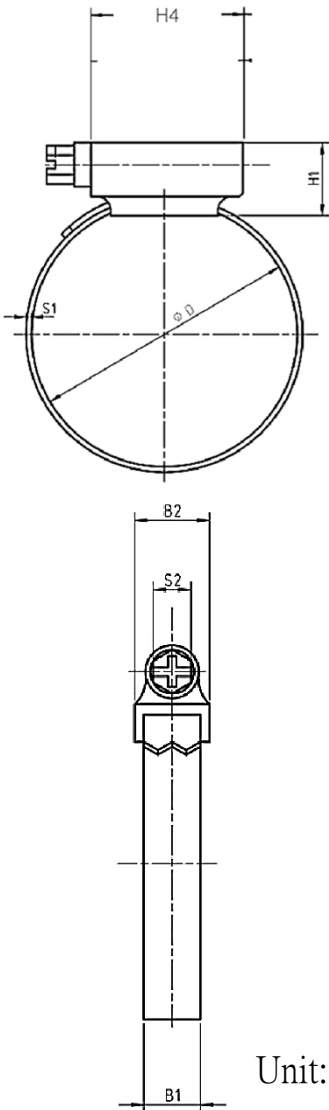


DIN3017



Hose clamps

✓ **Made in Taiwan** ✓ **Stainless steel**
✓ **Global standard** ✓ **Hot selling**



Unit: mm

D (mm)	D (inch)	B1	B2	H1	H4	S1	S2
8-12	1/2	9	11.6	10.5	22.6	0.6~0.65	6.8~7
10-16	5/8	9	11.6	10.5	22.6	0.6~0.65	6.8~7
12-20	3/4	9	11.6	10.5	22.6	0.6~0.65	6.8~7
12-22	7/8	9	11.6	10.5	22.6	0.6~0.65	6.8~7
16-25	1	9	11.6	10.5	22.6	0.6~0.65	6.8~7
16-27	1-1/16	9	11.6	10.5	22.6	0.6~0.65	6.8~7
20-32	1-1/4	9	11.6	10.5	22.6	0.6~0.65	6.8~7
23-35	1-3/8	9	11.6	10.5	22.6	0.6~0.65	6.8~7
25-40	1-5/8	12	15.1	11	25.9	0.6~0.65	6.8~7
30-45	1-3/4	12	15.1	11	25.9	0.6~0.65	6.8~7
32-50	2	12	15.1	11	25.9	0.6~0.65	6.8~7
40-60	2-3/8	12	15.1	11	25.9	0.6~0.65	6.8~7
50-70	2-3/4	12	15.1	11	25.9	0.6~0.65	6.8~7
60-80	3-1/8	12	15.1	11	25.9	0.6~0.65	6.8~7
70-90	3-1/2	12	15.1	11	25.9	0.6~0.65	6.8~7
80-100	4	12	15.1	11	25.9	0.6~0.65	6.8~7
90-110	4-3/8	12	15.1	11	25.9	0.6~0.65	6.8~7
100-120	4-3/4	12	15.1	11	25.9	0.6~0.65	6.8~7
110-130	4-3/8	12	15.1	11	25.9	0.6~0.65	6.8~7
120-140	5-1/2	12	15.1	11	25.9	0.6~0.65	6.8~7
130-150	5-7/8	12	15.1	11	25.9	0.6~0.65	6.8~7
140-160	6-1/4	12	15.1	11	25.9	0.6~0.65	6.8~7

